

KODAK T-HDX Plate Processors

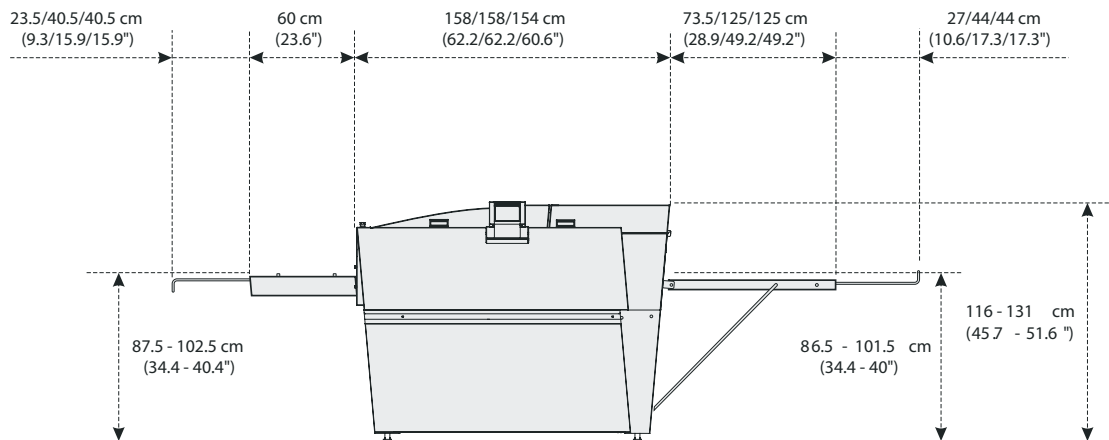
Technical specifications			
	T-HDX 850 Plate Processor	T-HDX 1250 Plate Processor	T-HDX 1650 Plate Processor*
Accredited digital plates	KODAK CAPRICORN, ELECTRA MAX, ELECTRA XD, SWORD MAX, THERMALNEWS PT, THERMALNEWS SP, and TRILLIAN SP Plates (<i>not all plates available in every region</i>)		
Suitability	Particularly recommended for medium to large throughput plate lines processing in excess of 30,000 m ² per year		
Maximum plate width	850 mm	1250 mm	1650 mm
Minimum plate length	285 mm		
Plate gauge	0.15 - 0.40 mm		
Adjustable temperature, developer (Cooling unit included)	18 - 35°C +/- 0.5°C		
Adjustable temperature, dryer	30 - 55°C +/- 0.5°C		
Tank volume, developer	54 liters	79 liters	99 liters
Tank volume, wash	14 liters	20.5 liters	26.5 liters
Tank volume, gum	3.5 liters	4.2 liters	9.0 liters
Water supply	1 - 6 bar (15 - 87 psi) Minimum recommended water pressure with tap water installation = 2.75 bar (40 psi) + 19 liters/min (5 US gal/min)		
Wash	Direct-to-drain or recirculated water		
Water consumption, recirculation	Adjustable, typically 200 mL/m ²		
Processing speed	50 – 220 cm/min	50 – 180 cm/min	50 – 180 cm/min
Power requirements	50/60 Hz, 3 phase, 230 VAC		
Power consumption	0.5 kW ready / 1.9 kW operation	0.5 kW ready / 2.0 kW operation	0.5 kW ready / 2.0 kW operation
Approvals	UL, c-UL certified. Complies with CE standards and RoHs directive		
Weight, uncrated	350 kg	490 kg	630 kg
Weight, crated	580 kg	780 kg	900 kg

* Available in EAMER region only

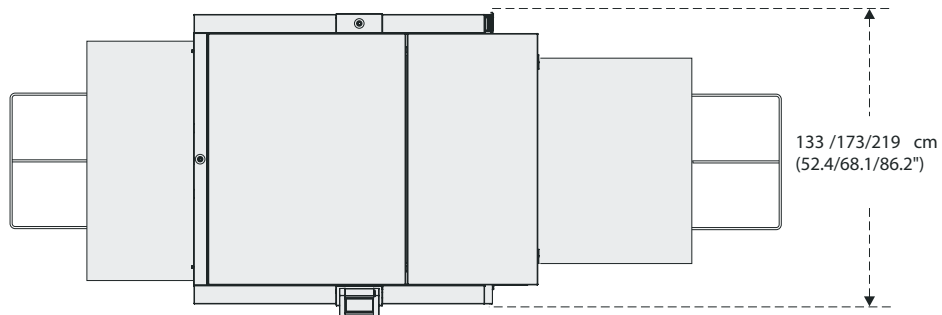


Kodak T-HDX Plate Processor Dimensions

Side View



Top View



Drip trays, interfaces, infeed and delivery tables available as options.

Eastman Kodak Company 343 State Street Rochester, NY 14650 USA +1-866-563-2533 in North America. Produced using Kodak Technology.
©Kodak, 2020. Kodak, Capricorn, Electra MAX, Electra, Sword MAX, ThermalNews, Trillian and the Kodak Logo are trademarks of Kodak.
Subject to technical change without notice. W.PSD141.0320.en.05

[KODAK.COM/GO/PRINT](https://www.kodak.com/go/print)

