

KODAK ESP C310

All-in-One Printer



Extended User Guide

The image shows the word "Kodak" in a bold, red, sans-serif font. The letters are slightly shadowed, giving it a three-dimensional appearance as if it's floating above a white surface.

Eastman Kodak Company

Rochester, NY 14650

© Eastman Kodak Company, 2011

Kodak, EasyShare, ESP, and Perfect Touch are trademarks of Eastman Kodak Company

Specifications subject to change without notice.

October 2011

Table of contents

1 Printer Overview

Components.....	1
Control panel.....	2
Home Center Software	3
Ordering supplies.....	3
Configuring printer settings	4
Setting your printer as the default printer	5

2 Networking Your Printer

Connecting to a wireless network	6
Before you connect	6
Connecting to a wireless network using the Wi-Fi Setup Wizard	6
Setting up an IP address.....	10
Viewing the network configuration.....	11
Printing the network configuration	11
Installing your printer on additional computers on the network.....	12
Connecting to another KODAK All-in-One Printer	12
Adding a wireless network connection to a USB-connected computer	13
Changing from USB to a wireless connection	13

3 Online Printer Management Tool

Accessing the Online Printer Management Tool	16
Setting up Cloud Printing	17
Registering your printer with Google Cloud Print	17
Registering your printer with KODAK Email Print Service.....	18

4 Handling Paper

Paper types.....	19
Paper sizes.....	19
Envelope sizes.....	20
Loading paper	20
Loading plain paper	21
Loading photo paper	22
Loading envelopes.....	23

5 Printing

Printing documents.....	24
Printing two-sided documents.....	24
Printing forms.....	25
Printing pictures.....	26
Printing from a memory card.....	26
Viewing pictures on a memory card.....	27
Finding pictures on a memory card.....	27
Using default settings to print a picture.....	27
Changing the settings and printing pictures.....	28
Printing panoramic pictures.....	31
Printing tagged pictures.....	32
Transferring pictures to a computer.....	33

6 Mobile Printing

Printing using Google Cloud Print.....	34
Printing using KODAK Email Print Service.....	35
Printing emails, documents, and pictures.....	35
Printing pictures from a mobile device.....	36
Printing pictures from an iPhone, iPad, or iPod touch device.....	36
Printing pictures from a BLACKBERRY Device.....	36
Printing pictures from an ANDROID OS Device.....	37

7 Copying

Copying a document.....	38
Using the default settings to copy a document.....	38
Adjusting the settings and copying a document.....	39
Changing the number of copies of a document.....	40
Enlarging or reducing a document.....	41
Darkening or lightening a copy.....	42
Copying a photograph.....	43
Using the default settings to copy a photograph.....	43
Adjusting the settings and copying a photograph.....	44
Changing the number of copies of a photograph.....	46
Enlarging or reducing a photograph.....	47
Darkening or lightening a photograph.....	48

8 Scanning

Before you begin scanning.....	49
Changing the scan settings for scanning from the printer control panel.....	49
Scanning from the computer.....	52
Scanning multiple pictures simultaneously.....	52
Scanning from the control panel.....	54

9 Maintaining Your Printer

General care and cleaning	56
Cleaning the scanner glass and document backing.....	57
Replacing ink cartridges	59
Updating the software and printer firmware.....	62
Updating manually if your printer is connected to a computer with WINDOWS OS.....	62
Updating manually if your printer is connected to a computer with MAC OS	63
Monitoring and adjusting printer performance	64
Checking ink levels	64
Resetting factory defaults	64
Replacing the printhead	65

10 Troubleshooting

Basic troubleshooting	69
Getting help on the Web.....	71
Status lights.....	72
Power light.....	72
Wi-Fi connectivity LED	72

11 Product and Safety Specifications

Specifications and features	73
Print performance.....	73
Photo printing features.....	73
Copy document features	73
Copy photo features	74
Scanning features	74
Paper input tray features	74
Ink cartridges	74
Connectivity.....	75
Software support	75
Physical specifications	75
Warranty.....	75
System requirements.....	76
Safety information	78

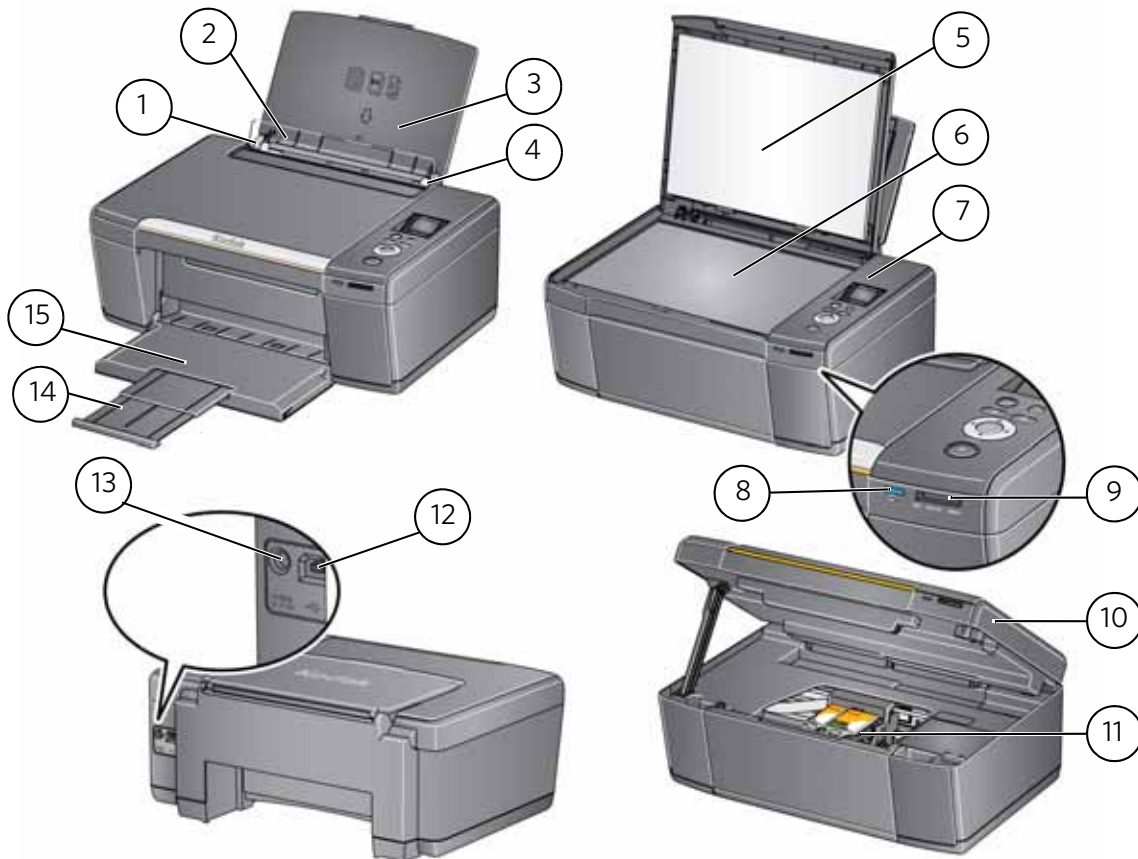
Regulatory compliance.....	80
FCC statement	80
Canadian statements	81
European compliance statement.....	81
German compliance statement	81
REACH Article 33 declarations.....	82
Waste electrical and electronic equipment labeling.....	82
ENERGY STAR® Qualified All-in-One Printer	82
Warranty Information	83
Declaration of Conformity.....	84

1

Printer Overview

This printer lets you print, copy, and scan pictures and documents.

Components



- | | | | |
|---|------------------------|----|---|
| 1 | Left paper-edge guide | 9 | Memory card slot |
| 2 | Paper guard | 10 | Access door |
| 3 | Paper input tray | 11 | Printhead with ink cartridges installed |
| 4 | Right paper-edge guide | 12 | USB port |
| 5 | Scanner lid | 13 | Power cord connection port |
| 6 | Scanner glass | 14 | Output tray extender |
| 7 | Control panel | 15 | Paper output tray |
| 8 | Wi-Fi connectivity LED | | |

Control panel



Feature	Description
1 LCD	Displays pictures, messages, and menus
2 Cancel button	Stops the current operation and returns to the menu
3 Home button	Displays the main menu
4 Navigation buttons	Used to navigate menus and scroll through pictures
5 Start button	Begins copying, scanning, printing, maintenance task, and file transfer
6 OK button	Selects a menu item and allows you to continue with the current operation
7 Back button	Displays the higher level screen in the menu structure
8 Power button	Turns the printer on or off

Home Center Software

KODAK Home Center Software is installed with your KODAK All-in-One Printer Software, unless you choose otherwise. The Home Center icon will appear on your desktop.



On a computer with WINDOWS Operating System (OS), you can use Home Center Software to:

- browse, crop, enhance, and edit pictures
- print and scan
- configure your printer
- upgrade to the latest printer software and firmware
- order supplies
- access the KODAK Tips and Projects Center
- access this Extended User Guide

On a computer with MAC OS, you can use Home Center Software to:

- scan
- configure your printer
- upgrade to the latest printer software and firmware
- order supplies
- access this Extended User Guide

Ordering supplies

You can order ink cartridges, paper, and accessories online.

To order supplies, make sure that your computer is connected to the Internet, then:

1. Open Home Center Software.
2. Select **Order Supplies** (on a computer with WINDOWS OS) or select the **Tools** tab, then click **Order Supplies** (on a computer with MAC OS).
3. Select the item(s) you want to buy, then follow the on-screen instructions.

Configuring printer settings

To set or change basic printer settings:

1. Press **Home**.
2. Press ▼ to select **Printer Settings**, then press **OK**.
3. Press ▼ to select one of the following settings:
 - **Date and Time**
 - Press **OK**, then press ▼ to select **Year, Month, Day, Hour, or Minute**.
 - Press ◀ or ▶ to change the values; press **OK** when you are done making changes.
 - Press **Back** to go back to the Printer Settings menu.
 - **Time to Low Power**

To conserve energy, your printer will enter a low power (sleep) mode after being idle for a default delay time of 1 hour. You can increase the delay time to low power (in 0.5 hour increments) up to 4 hours. Increasing the delay time may result in reduced energy savings.

 - Press ▶ to change the time to energy-saving sleep mode (select from 1 to 4 hours in 0.5 hour increments).
 - **Tagged Images Printing** (see [Printing tagged pictures, page 32](#))
 - Press ▶ to select **Off** or **On**.
 - **Language**
 - Press **OK**, press ▼ to select a language, then press **OK**.
 - **Country/Region**
 - Press **OK**, press ▼ to select a country or region, then press **OK**.
 - **Reset All Settings** (see [Resetting factory defaults, page 64](#))

NOTE: Resetting factory defaults does not change the date and time, language, country/region, or network settings.
 - **Printer Info**
 - Press **OK** to view the Firmware Version number; press **OK** when you are done.
4. Press **Back** to return to the Main Menu.

Setting your printer as the default printer

If you have more than one printer and your all-in-one printer is not the default printer, you may set it as your default printer.

IMPORTANT: *For all operating systems, if you connect your printer with a USB cable and with a wireless connection, your printer may be listed twice. Be sure to select the correct printer. The name of the printer that ends with a plus and four digits (+XXXX) indicates a wireless connection.*

For computers with WINDOWS XP OS

1. Select **Start > Control Panel > Printers and Faxes** or **Start > Settings > Control Panel > Printers and Faxes**.
2. Right-click your printer, and select **Set as Default Printer**.

For computers with WINDOWS VISTA OS

1. Select **Start > Control Panel > Hardware and Sound > Printers**.
2. Right-click your printer, and select **Set as Default Printer**.

For computers with WINDOWS 7 OS

1. Select **Start > Control Panel > Hardware and Sound > Devices and Printers**.
2. Right-click your printer, and select **Set as Default Printer**.

For computers with MAC OS

When a new printer is installed, it becomes the default printer. If your all-in-one printer is not the default printer:

1. From the dock, open **System Preferences**.
2. In the **Hardware** section, click **Print & Fax**.
3. Select your printer from the drop-down list next to **Default Printer**.

Networking Your Printer

This section explains how to configure your wireless network settings.

Connecting to a wireless network

To connect your printer to an 802.11b/g/n wireless (Wi-Fi) network, refer to the following information.

Before you connect

You need:

- a wireless router.
- to determine whether your wireless router supports Wi-Fi Protected Setup (WPS).

NOTE: If you have specific questions about your router, see your router manufacturer's documentation for more information.

Connecting to a wireless network using the Wi-Fi Setup Wizard

You can use the Wi-Fi Setup Wizard on the printer to connect to your wireless network. Read the following procedures and use the one that is appropriate for your network setup.

Connecting to a non-WPS wireless router

To connect your printer to your wireless network, you need to know the network name, also called the Service Set Identifier (SSID). You can obtain your network name from the wireless router.

If your network has security enabled, you also need to know the Security String (passphrase or password).

Record your network information in the spaces below, using the correct uppercase and lowercase letters.

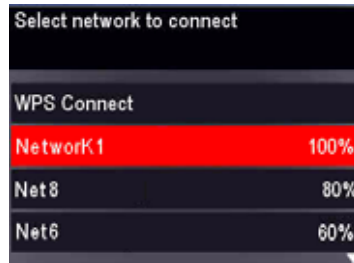
Network Name (SSID): _____

Security String (case-sensitive): _____

1. Press **Home**.
2. Press ▼ to select **Network Settings**, then press **OK**.
3. With **Wi-Fi Setup Wizard** selected, press **OK**.

NOTE: The Wi-Fi radio turns on when you select Wi-Fi Setup Wizard.

The Wi-Fi connectivity LED blinks as the printer searches for available wireless networks within range, then displays the list in order of signal strength. For example:



If there are more networks than can be shown on the LCD, a ▼ (page down) symbol appears in the bottom right of the display.

- Press ▼ to select your network, then press **OK**.

If you don't see your network in the list, or if you want to change your network, select **Rescan for Wireless Networks**, then press **OK**.

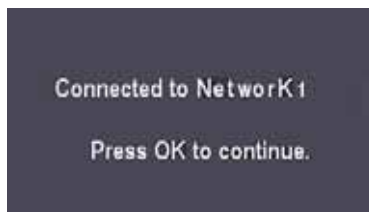
NOTE: If the name of your network is not listed, make sure your wireless router is turned on and within range.

- If your network requires a password, use the LCD keyboard to enter your Security String.



On the control panel, press ▲, ▼, ◀ or ▶ to select the letters and numbers, using the correct uppercase and lowercase letters. Press **OK** after each character. When you are finished, select **DONE**, then press **OK**.

- When the confirmation message appears, press **OK**.



When the printer is successfully connected, the Wi-Fi connectivity LED will stop blinking and stay on steadily.

The printer with a wireless connection is listed as the name of the printer plus a number (for example, KodakESPC310+0034).

7. If you haven't yet installed the KODAK All-in-One Printer Software:
 - a. Go to www.kodak.com/go/aiodownloads.
 - b. In the results list, click the link for KODAK All-in-One Printer Software for either WINDOWS or MACINTOSH Operating System, depending on your computer's operating system.
 - c. Follow the on-screen instructions to install the software.

Connecting to a WPS wireless router

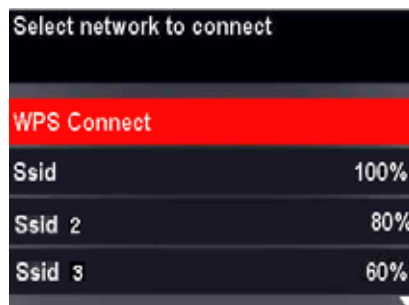
If your router supports Wi-Fi Protected Setup (WPS), you can use WPS Connect. WPS lets you configure your printer for a wireless network by pressing buttons or entering a PIN.

To connect to a network using WPS:

1. Press **Home**.
2. Press ▼ to select **Network Settings**, then press **OK**.
3. With **Wi-Fi Setup Wizard** selected, press **OK**.

NOTE: The Wi-Fi radio turns on automatically when you select Wi-Fi Setup Wizard.

4. With **WPS Connect** selected, press **OK**.

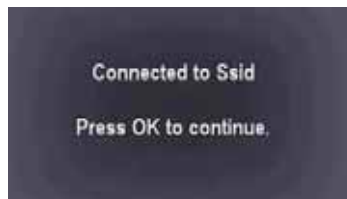


5. Select one of two methods of connecting:

IMPORTANT: *Before you press **OK** on the printer, make sure you know where the router's push button is, or where to enter the generated PIN. If necessary, consult your Internet service provider or router device manufacturer's documentation for more information.*

Pressing a button	Entering a PIN
<p>NOTE: You will have two minutes to press or select the WPS button. It may be a button on the device or a virtual button in the device's software.</p> <p>a. With Push Button Configuration selected, press OK.</p> <p>b. Press or select the WPS button for your wireless router.</p>	<p>a. Press ▼ to select Generate WPS PIN, then press OK.</p> <p>b. In your wireless router's software, locate the PIN screen.</p> <p>c. Enter the PIN you received on the LCD into the PIN screen.</p>

6. When the confirmation message appears, press **OK**.



When the printer is successfully connected, the Wi-Fi connectivity LED stops blinking and stays on steadily.

The printer with a wireless connection is listed as the name of the printer plus a number (for example, KodakESPC310+0034).

7. If you haven't yet installed the KODAK All-in-One Printer Software:
- Go to www.kodak.com/go/aiodownloads.
 - In the results list, click the link for KODAK All-in-One Printer Software for either WINDOWS or MACINTOSH Operating System, depending on your computer's operating system.
 - Follow the on-screen instructions to install the software.

Setting up an IP address

IMPORTANT: *You should only need to set up an IP address for your printer if you are having a problem with connecting. Typically, it is not necessary to set up an IP address. This procedure is for advanced users who know how to obtain the IP address for the printer.*

All IP address entries have the following format: 000.000.000.000. Within each three-digit grouping, the number must be right-justified. If an address or subnet mask has only one or two characters between the periods, include one or two leading zeros in front of that number. For example:

The address as it may appear in your documentation	How to enter the address in the printer menu
149.89.138.149	149.089.138.149
149.2.40.149	149.002.040.149

To set up your IP address on the printer:

1. Press **Home**.
2. Press ▼ to select **Network Settings**, then press **OK**.
3. Press ▼ to select **Advanced IP Address Setup**, then press **OK**.
4. Press **OK** again to continue.
5. Select one of the following, then press **OK**:
 - **Dynamic (DHCP)**
 - **Manual (Static)**
6. If you selected **Manual (Static)**, you are prompted to enter an IP address, a Subnet Mask, a Gateway Address, and a DNS Server address. Press **OK** after each entry. Use the navigation buttons to enter each digit of the numbers. Consult your Internet service provider or network administrator for more information.

Viewing the network configuration

To view the network configuration and verify that you are connected to your wireless network:

1. Press **Home**.
2. Press ▼ to select **Network Settings**, then press **OK**.
3. Press ▼ to select **View Network Configuration**, then press **OK**.

The wireless or Ethernet network settings appear on the LCD, including:

- Printer Hostname
- Connection
- Speed
- IP Address
- IP Address Type
- Network Subnet
- Connected Network SSID
- Security
- Authentication
- Channel
- Region
- Radio (on/off)
- MAC Address

If the printer is connected to your network, you will see the network name and the word CONNECTED.

4. To scroll through the information, press ▼.
5. When you are done, press **OK**.

Printing the network configuration

To print the current network configuration:

1. Load plain paper into the printer. (See [Loading plain paper, page 21.](#))
2. Press **Home**.
3. Press ▼ to select **Network Settings**, then press **OK**.
4. Press ▼ to select **Print Network Configuration**, then press **OK**.

Installing your printer on additional computers on the network

To add your printer to another computer(s) on your network, install the KODAK All-in-One Printer Software on each computer.

1. Go to www.kodak.com/go/aiodownloads.
2. In the results list, click the link for KODAK All-in-One Printer Software for either WINDOWS or MACINTOSH Operating System, depending on your computer's operating system.
3. Follow the on-screen instructions to install the software.

Connecting to another KODAK All-in-One Printer

If you are connecting to a newer model printer (for example, you have an ESP 7 printer and now you are adding an ESP C310 printer), you must install the software for the newer model.

NOTE: When you install the new software, the printer driver for the ESP 7 printer will be uninstalled, and an upgraded driver for the ESP 7 printer will be installed in addition to the driver for the ESP C310 printer.

On a computer with WINDOWS OS:

1. Select **Start > All Programs > Kodak > Kodak Printer Network Setup Utility**.
 - If your wireless all-in-one printer (example: KodakESPC310+0034) **is not** listed:
 - a. Select **No, my printer is not listed**, then click **Next**.
 - b. From the drop-down list, select your printer.
 - c. Select **Network - Wireless/Wi-Fi**, then click **Next**.
When your printer is detected, driver installation begins.
 - If your wireless all-in-one printer (example: KodakESPC310+0034) **is** listed:
 - a. Highlight the all-in-one printer that is connected to your network.
 - b. Select **Yes, my printer is listed**, then click **Next**.
When your printer is detected, driver installation begins.
2. When driver installation is complete, click **Done**.

On a computer with MAC OS:

1. Select **Apple > System Preferences**.
2. Under Hardware, select **Print & Fax**.
3. In the Print & Fax dialog box, click **+**.
4. Select your printer from the list, then click **Add**.

Adding a wireless network connection to a USB-connected computer

You can change the way you connect to your printer at any time.

Changing from USB to a wireless connection

To change the printer connection type from USB to a wireless (Wi-Fi) network:

If your printer is connected to a computer with WINDOWS OS:

1. Unplug the USB cable from your printer and computer.
2. On the printer control panel, press **Home**.
3. Press ▼ to select **Network Settings**, then press **OK**.
4. Press ▼ to select **View Network Configuration**, press **OK**, then confirm that the IP Address is not 0.0.0.0.
5. If you have not already done so, connect your printer to your wireless network. See [Connecting to a wireless network](#), page 6.
6. Select **Start > All Programs > Kodak > Kodak Printer Network Setup Utility**.
 - If your wireless all-in-one printer (example: KodakESPC310+0034) **is not** listed:
 - a. Select **No, my printer is not listed**, then click **Next**.
 - b. Select your printer from the list.
 - c. Select **Network - Wireless/Wi-Fi**, then click **Next**.
When your printer is detected, driver installation begins.
 - If your wireless all-in-one printer (example: KodakESPC310+0034) **is** listed:
 - a. Highlight the all-in-one printer that is connected to your network.
 - b. Select **Yes, my printer is listed**, then click **Next**.
When your printer is detected, driver installation begins.
7. When driver installation is complete, click **Done**.

The printer with a wireless connection is listed as the name of the printer plus a number (for example, KodakESPC310+0034).

If your printer is connected to a computer with MAC OS:

1. Unplug the USB cable from your printer and computer.
2. On the printer control panel, press **Home**.
3. Press ▼ to select **Network Settings**, then press **OK**.
4. Press ▼ to select **View Network Configuration**, press **OK**, then confirm that the IP Address is not 0.0.0.0.
5. Select **Apple > System Preferences**.
6. Under Hardware, select **Print & Fax**.
7. In the Print & Fax dialog box, click **+**.
8. Select your printer from the list, then click **Add**.

The printer with a wireless connection is listed as the name of the printer plus a number (for example, KodakESPC310+0034).

Online Printer Management Tool

The Online Printer Management Tool lets you access your printer through an Internet browser (such as INTERNET EXPLORER, FIREFOX, SAFARI, CHROME) on any computer that is on the same network as your printer.

IMPORTANT: *Your computer and your printer must be on the same wireless network. The Online Printer Management Tool is not available if your printer is connected to a computer with only a USB cable.*

With the Online Printer Management Tool, you can:

- view printer status
- set up accounts for Google Cloud Print and KODAK Email Print Service

The screenshot shows the web interface for the KODAK ESP C310 AiO printer. At the top, the Kodak logo and the printer model name "KODAK ESP C310 AiO" are displayed. Below this, there are two tabs: "Home" (selected) and "Settings". The main content area features a welcome message: "Welcome to the KODAK Online Printer Management Tool" followed by a brief description: "This tool helps you manage the printer from your computer using a Web browser. You can use it to view status information and change settings." Below the welcome message is a section titled "Device Information" containing a table with the following data:

Product Name	KODAK ESP C310 AiO
KODAK Service Number	MPV0512
Firmware Version	

Below the table, there are two sections: "Printer Image" which shows a photograph of the printer, and "Ink Levels" which shows two ink cartridges (black and cyan). At the bottom left of the interface, the status is indicated as "Status: Ready".

Accessing the Online Printer Management Tool

Access the Online Printer Management Tool in one of the ways described below.

Directly from Home Center Software v7.x or higher:

1. Open Home Center Software.
2. Select **Printer Tools** on a computer with WINDOWS OS, or **Tools** on a computer with MAC OS.
3. Make sure that the name of your wirelessly connected printer appears in the bottom left of the window.

NOTE: A wirelessly connected printer is listed as the name of the printer plus a number (for example, KodakESPC310+0034). If a different printer name appears, click **Select**, then choose your wirelessly connected printer.

4. Under **Online Printer Tools**, select **Online Printer Management**.
The Online Printer Management Tool opens.

On any printer-supported computer:

1. Get the IP Address of your wirelessly connected printer:
 - a. On your printer control panel, press **Home**.
 - b. Press ▼ to select **Network Settings**, then press **OK**.
 - c. Press ▼ to select **View Network Configuration**, then press **OK**.
NOTE: If you prefer a printout, press ▼ to select **Print Network Configuration**, then press **OK**. A Test Page prints, including the IP Address in the format xxx.xxx.xxx.xxx.
 - d. Press ▼ to see the IP Address in the format xxx.xxx.xxx.xxx. (See [Viewing the network configuration, page 11.](#))
2. On your computer, open your preferred Internet browser (such as INTERNET EXPLORER, FIREFOX, SAFARI, CHROME).
3. Type the printer IP Address in the browser address (URL) bar, then press **Enter**.
The Online Printer Management Tool opens.

Setting up Cloud Printing

Registering your printer with Google Cloud Print

Your printer lets you print from anywhere in the world from your smartphone, tablet, or computer that uses Google Cloud Print enabled apps. You must register your printer with a Google account to enable this feature.

1. Make sure your printer and computer are connected to the same network (see [Networking Your Printer, page 6](#)).
2. Make sure you have the latest version of Home Center Software and printer firmware (see [Updating the software and printer firmware, page 62](#)).
3. Do one of the following:

NOTE: After you select Cloud Printing Setup, the Online Printer Management Tool opens in your Web browser.

- Open Home Center Software, then click **Cloud Printing Setup**.
 - Depending on your Operating System, use the path below to select Cloud Printing Setup.
 - WINDOWS XP OS: Select **Start > Programs > Kodak > KODAK AiO Printer Tools**, then click **Cloud Printing Setup**.
 - WINDOWS VISTA and 7 OS: Select **WINDOWS icon > All Programs > Kodak > KODAK AiO Home Center > Printer Tools**, then click **Cloud Printing Setup**.
 - MAC OS: Select **KODAK AiO Home Center > Tools**, then click **Cloud Printing Setup**.
4. Follow the on-screen instructions.
 5. In the Google window, click **Finish printer registration**.
 6. Return to the Online Printer Management Tool.
 7. Wait until you see **Registration Successful** for Google Cloud Print. This may take a few minutes.
 8. To register your printer with KODAK Email Print Service, and get an email address for your printer, go to step 3 of [Registering your printer with KODAK Email Print Service, page 18](#).
 9. Sign out of your Google account and close the Online Printer Management Tool.

For information about printing, see [Printing using Google Cloud Print, page 34](#).

Editing a Google Cloud Print account

Once you have successfully registered your printer with Google, you can make edits to various fields.

1. Open the Online Printer Management Tool (see [Accessing the Online Printer Management Tool, page 16](#)).
2. Select the **Settings** tab.
3. Select **Cloud Printing > Google Cloud Print**.
4. Click **Edit Settings**.
5. Make the changes you want in the appropriate fields, then click **Save**.

Registering your printer with KODAK Email Print Service

KODAK Email Print lets you send emails and attachments to your printer using any email account. Your printer must be registered to Google Cloud Print before you can register to KODAK Email Print (see [Registering your printer with Google Cloud Print, page 17](#)).

1. Go to www.kodakeprint.com.
2. Sign in with the account you used to set up Google Cloud Print (see [Registering your printer with Google Cloud Print, page 17](#)).
3. Click **Get Printer Email Address for KODAK Printer**.
4. Click **Enable** next to your printer.
5. Make sure you have letter or A4 size paper loaded in the printer.
A page will be sent to your printer to indicate your printer has been successfully set up. (This may take a few minutes.) The page includes the email address of your printer.
6. To limit who can send emails to your KODAK Printer email address:
 - a. Next to **Access Control**, click **Edit**.
 - b. Select **Control who can send email (by email or domain)**.
 - c. To add a specific email address, click **Add new Email/Domain**.
 - d. Type the correct information for the email or domain, then click **Save**.

NOTE: To delete an email or domain, click **Delete**.

For information about printing, see [Printing using KODAK Email Print Service, page 35](#).

Handling Paper

For the best document printing results, use KODAK Document Papers or a paper with the COLORLOK Technology logo on the package. Use only paper that is designed for inkjet printers.

For the best photo printing results, use KODAK Photo Papers, which are optimized to work with KODAK All-in-One Printers, or photo papers designed for use on pigment-based inkjet printers.

When handling photo paper:

- Hold the paper by the edges; avoid placing your fingerprints on it.
- Do not touch the glossy side of photo paper.
- Store paper flat, away from direct sunlight and heat.

Paper types

You can use:

- Plain paper — 16 to 24 lb / 60 to 90 gsm
- Photo paper — up to 12 mils
- Card stock — 110 lb / 200 gsm, max
- Envelopes — most standard types
- Labels — all commercially available inkjet varieties on 8.5 x 11-in. or A4 sheets
- Iron-on transfers — all commercially available inkjet varieties on 8.5 x 11-in. or A4 sheets

Paper sizes

The printer accepts the following paper sizes:

- 4 x 6 in. / 10 x 15 cm
- 4 x 7 in. / 10 x 18 cm
- 4 x 8 in. / 10 x 20 cm
- 4 x 12 in. / 10 x 31 cm
- 5 x 7 in. / 13 x 18 cm
- 7.3 x 8.5 in. / 18 x 22 cm
- 7.3 x 10.5 in. / 18 x 27 cm
- 8 x 10 in. / 20 x 25 cm
- 8.5 x 11 in. / 22 x 28 cm
- 8.5 x 14 in. / 22 x 36 cm
- A4 (8.3 x 11.7 in. / 21 x 30 cm)
- A5 (5.8 x 8.3 in. / 15 x 21 cm)
- A6 (4.1 x 5.8 in. / 11 x 15 cm)
- B5 (6.9 x 9.8 in. / 18 x 25 cm)

NOTE: Do not load paper smaller than 4 x 6 in. / 10 x 15 cm.

Envelope sizes

The printer accepts the following envelope sizes:

- C5 (6.7 x 9 in. / 16 x 23 cm)
- C6 (4.5 x 6.4 in. / 11 x 16 cm)
- DL (4.3 x 8.7 in. / 11 x 22 cm)
- US #7 $\frac{3}{4}$ (3.9 x 7.5 in. / 10 x 19 cm)
- US #9 (3.9 x 8.9 in. / 10 x 23 cm)
- US #10 (4.1 x 9.5 in. / 11 x 24 cm)

IMPORTANT: *Do not load envelopes with cutout or clear windows.*

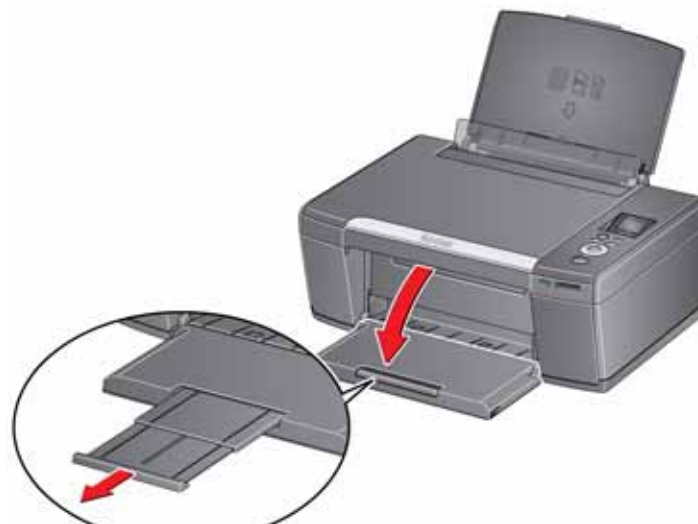
Loading paper

To load paper:

1. Lift the input tray.



2. Open the output tray, then pull out the extender until it is fully extended.

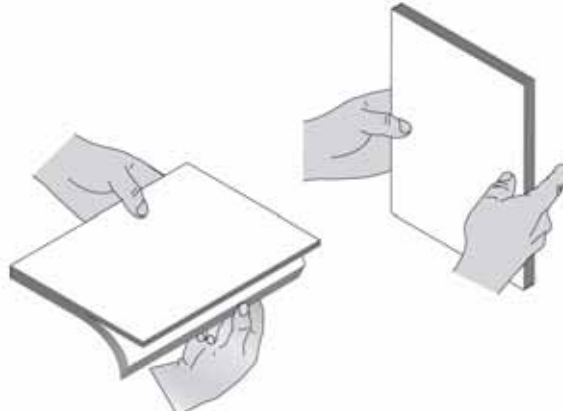


Loading plain paper

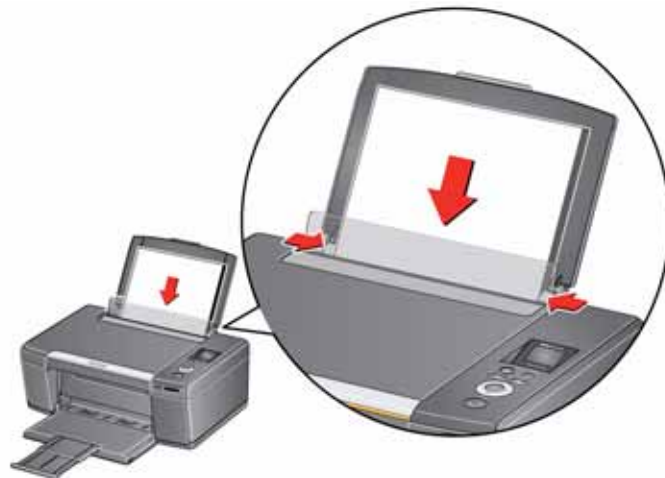
The input tray capacity is 100 sheets of plain paper.

To load plain paper:

1. Fan and stack the paper.



2. Make sure the left and right paper-edge guides are in the far left and far right positions, then insert the paper into the input tray.
3. Move the paper-edge guides until they touch the paper.



Loading photo paper

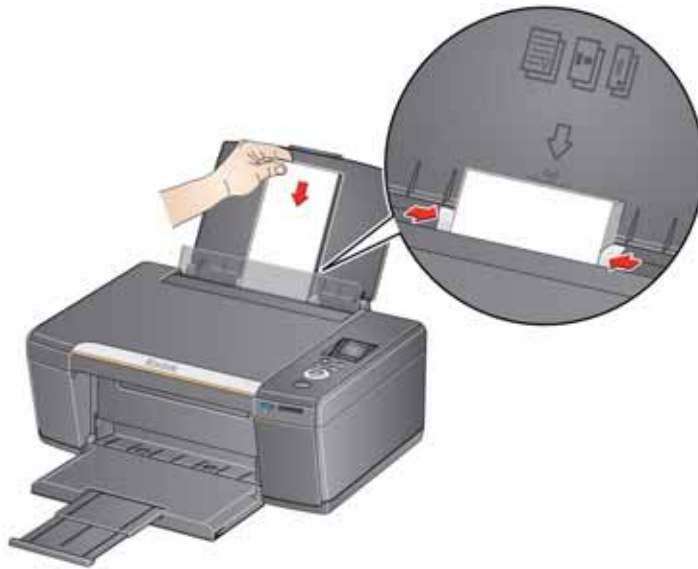
The input tray capacity is 20 sheets of photo paper.

To load photo paper:

1. Remove any paper from the input tray.
2. Insert the paper (short side first) into the center of the input tray with the **logo side toward the tray** and the **glossy side toward you**.

IMPORTANT: *Always load the paper **short side first**. The printer automatically detects the orientation of the picture, whether it's portrait or landscape, and prints accordingly. If the photo paper is loaded in the wrong direction, the image will be cut off and the paper may jam. If the paper is loaded with the wrong side up, the image quality will be affected.*

3. Move the paper-edge guides until they touch the paper.



Loading envelopes

The input tray capacity is 20 envelopes.

IMPORTANT: *Do not load envelopes with cutout or clear windows.*

To load envelopes:

1. Remove any paper from the input tray.
2. Insert the envelope(s) into the tray with the flap away from you and the top of the envelope against the right side of the tray.
3. Move the paper-edge guides until they touch the envelope(s).



Print documents and lab-quality pictures on your printer.

Printing documents

To print a document:

1. Open the document on your computer.
2. Select **File > Print**.
3. In the Print dialog box, select your KODAK Printer.
4. Choose the pages to print, number of copies, etc, then click **OK** (on a computer with WINDOWS OS) or **Print** (on a computer with MAC OS).

Printing two-sided documents

You can print two-sided documents on any size paper that the printer accepts (see [Paper sizes, page 19](#)) by rotating the paper manually as described below.

IMPORTANT: *Two-sided printing can only be done on media that can absorb ink on both sides, such as plain paper or two-sided photo paper. Two-sided printing will not work on bar-coded photo paper (the bar code is on the back side).*

Printing two-sided documents from a computer with WINDOWS OS

To print two-sided documents from a computer with WINDOWS OS:

1. Load paper into the paper input tray.
2. Open the document you want to print, then select **File > Print**.
3. In the Print dialog box, make sure that **KODAK ESP C310 Series AiO** (or for a wireless connection, **KodakESPC310+XXXX**, where XXXX is a number) is selected, then click **Properties**.
4. Select the **Layout** tab.
5. In the Two-sided printing field, select **Manual (Instructions provided)**, then click **OK**.
6. Click **OK**.
7. When a message appears on your computer or printer LCD, remove the printed pages from the output tray, and follow the instructions on the computer or LCD.
8. Turn the printed pages over, and place into the input tray (top edge down and printed side away from you).
9. Press **Start** on the printer.

Printing two-sided documents from a computer with MAC OS

To print two-sided documents from a computer with MAC OS:

1. Load paper into the paper tray.
2. Open the document you want to print, then select **File > Print**.
3. In the Print dialog box, make sure that **Eastman Kodak Company KODAK ESP C310 AiO** (or for a wireless connection, **KodakESPC310+XXXX**, where XXXX is a number) is selected.
4. In the **Copies & Pages** drop-down list, select **Paper Handling**.
5. In the **Pages to Print** drop-down list, select **Odd Only**.
6. In the **Page Order** drop-down list, select **Normal**.
7. Click **Print**.
8. When the odd pages have finished printing, remove them from the output tray.
9. Turn the printed pages over, and place into the input tray (top edge down and printed side away from you).
10. Select **File > Print**.
11. In the **Copies & Pages** drop-down list, select **Paper Handling**.
12. In the **Pages to Print** drop-down list, select **Even Only**.
13. In the **Page Order** drop-down list, select **Normal**.
14. Click **Print**.

Printing forms

You can print the following preprogrammed forms:

- Graph paper
- Wide ruled
- Narrow ruled
- Grocery list
- Reminder list
- Tic-tac-toe
- Sheet music (portrait)
- Sheet music (landscape)

To print a preprogrammed form:

1. Press **Home**.
2. Press ▼ to select **Printable Forms**, then press **OK**.
3. Press ▼ to select a form.
4. Press ◀ or ▶ to select a quantity, then press **OK**.
5. Press **Start**.

Printing pictures

You can print pictures with your all-in-one printer from:

- A memory card inserted into the memory card slot on the printer.
- Any picture-editing or photo-management software on your computer.

On a computer with WINDOWS OS, you can print pictures using Home Center Software, which lets you edit and enhance your pictures quickly. Open Home Center Software, select **Print Pictures**, then follow the on-screen instructions.

Printing from a memory card

The memory card slot on your printer accepts the following memory cards:

- SD Card
- SDHC Card
- MMC Card
- MEMORY STICK
- Variations of the memory cards listed above that require an adapter (for example, MEMORY STICK Duo, miniSD, and microSD)

IMPORTANT: *If you use a memory card with an adapter, make sure you insert and remove the adapter and the memory card as a unit; do not remove the memory card while leaving the adapter in the printer.*



Viewing pictures on a memory card

When you insert a memory card into the memory card slot on your printer, the pictures on the card appear on the LCD. Press ◀ or ▶ to scroll through the pictures.

If the printer is idle for more than two minutes, the LCD will revert to the status display. To view the pictures again, press any button, then press ◀ or ▶.

Finding pictures on a memory card

Your printer can help you locate pictures on a memory card by the date the picture was taken or last saved.

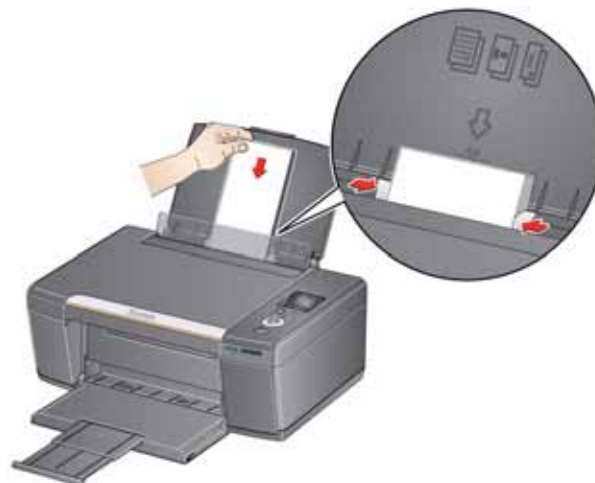
To locate pictures:

1. Insert the memory card into the memory card slot.
2. Press **Home**.
3. Press ▼ to select **View / Print Photos**, then press **OK**.
4. Press ▼ to select **Find Photos**, then press **OK**.
5. In the View by Date menu, press ▼ to select Year, Month, or Day; press ◀ or ▶ to select the specific year, month, or day.
The number of photos found for the date you specified appears under the menu name. To view these pictures, press **OK**.
6. To view these pictures, press **OK**.

Using default settings to print a picture

To print a picture from a memory card using the factory default settings:

1. Load photo paper (**short side first**) into the center of the input tray with the **glossy side toward you** (see [Loading photo paper, page 22](#)), and move the paper-edge guides until they touch the paper.



2. Insert the memory card into the memory card slot.



3. Press ◀ or ▶ to display the picture you want to print.
4. Press **Start** to begin printing.

The printer prints one 4 x 6 in. / 10 x 15 cm picture.

IMPORTANT: *To prevent loss of data from your memory card, do not remove it from the printer while printing.*

Changing the settings and printing pictures

You can change the print photos options for an individual picture or group of pictures, or you can change the settings and save them as the default.

To print a picture or pictures using settings other than the default settings:

1. Load photo paper with the glossy side toward you (see [Loading photo paper, page 22](#)), and move the paper-edge guides until they touch the paper.
2. Insert the memory card into the memory card slot. A picture appears on the LCD.



3. Press ◀ or ▶ to select the picture you want to print, then press **OK**.
4. Repeat step 3 for each picture you want to print.
5. Press **Back** for Print Photos Options.
6. Press ▼ to select an option (see table below), then press ◀ or ▶ to change the setting.

Print Photos Option	Settings	Description
View Photos	--	Scroll through the pictures on the memory card; press OK to select the picture for printing; press Back to display the Print Photos Options menu.
Find Photos	--	Press OK , then select a year, month, and/or day to view photos by date that they were taken; press OK to view the photo(s); press Back to display the Print Photos Options menu.
Transfer All to PC	--	To transfer all the pictures on the memory card to your computer, press OK then Start . (Your printer and computer must be connected with a USB cable.)
Rotate This Photo	--	Press OK , then press ◀ or ▶ to rotate the image on the LCD. (This is for viewing purposes only and does not affect how the picture prints.) Press Back to display the Print Photos Options menu.

Print Photos Option	Settings	Description
Quantity	1 (default) to 99	The number of copies that print.
Color	Color (default)	Prints full color.
	Black & White	Prints black and white (grayscale).
Print Size	2 x 3 3.5 x 5 4 x 6 (default) 4 x 7 4 x 8 5 x 7 4 x 12 8 x 10 8.5 x 11 or A4	If the selected copy size is smaller than the paper in the paper tray, the printer automatically arranges the pictures to best fit the paper size.
Plain Paper Quality	Normal (default)	Good quality output; prints faster than Best.
	Best	The highest quality.
	Draft	The fastest print speed.
Photo Paper Quality	Auto. (default)	The printer detects photo paper in the paper tray and sets Best quality automatically.
Scene Balance	On (default) Off	Adjusts the image brightness to correct for underexposure and reduces the variation in contrast in different areas of the picture.
Add Date to Prints	No (default) Yes	Prints the date of the picture(s) (the date the picture was taken or last edited) in a corner of the print.
Save as Defaults	No / Yes	To save the settings as the new default, press OK . With Yes selected, press OK .

7. When you have finished changing settings, press **Start** to begin printing.

IMPORTANT: *To prevent loss of data from your memory card, camera, or portable drive, do not remove it from the printer while printing.*

Printing panoramic pictures

To print a panoramic picture, load 4 x 12 in. / 10 x 31 cm paper, or US letter or A4 paper in the main paper tray.

1. Insert the memory card into the memory card slot.



2. Press ◀ or ▶ to select the panoramic picture you want to print, then press **OK**.
3. Press **Back** for Print Photos Options.
4. Press ▼ to select **Print Size**, then press ▶ to select **4 x 12**.
5. Press **Start**.

IMPORTANT: To prevent loss of data from your memory card, do not remove it from the printer while printing.

Printing tagged pictures

Some digital cameras let you tag (or “mark”) pictures on the memory card for printing. This creates a tag that is recognized by the printer. If you choose to print tagged pictures, they will be printed according to the default settings on your printer (unless otherwise specified by the tag from the camera).

NOTE: Refer to your camera user guide to determine whether your camera supports tagged (also “marked” or “DPOF”) functionality.

To print tagged pictures:

1. Load photo paper with the glossy side toward you (see [Loading photo paper, page 22](#)), and move the paper-edge guides until they touch the paper.
2. Insert the memory card into the memory card slot.



3. When the “Print tagged images?” message appears, press **Start**.

Transferring pictures to a computer

You can transfer your image files from a memory card in the printer to your computer. To transfer these files, the printer **must** be connected to your computer with a USB cable.

NOTE: If you have large video files or a large number of pictures (400 or more), we recommend that you transfer them using a memory card reader attached directly to your computer.

1. Insert the memory card into the memory card slot on the printer.
2. Press **Back**.
3. Press ▼ to select **Transfer All to PC**, then press **OK**.
4. Press **Start**.
5. Follow the on-screen instructions on your computer.

Mobile Printing

Mobile printing lets you print to your all-in-one printer from your Web-connected mobile device.

When your:

- printer is registered to Google Cloud Print, you can print from anywhere with your mobile device using Google Cloud Print apps.
- printer has an email address (assigned by KODAK Email Print Service), you can send emails and email attachments to your printer from anywhere, from a device capable of sending email.
- mobile device is connected to the same wireless network as your printer, you can print pictures using a KODAK Pic Flick App.

When you plan to use mobile printing, make sure that your printer power is on or your printer is in low power mode (for information, see [Time to Low Power under Configuring printer settings, page 4](#)).

Printing using Google Cloud Print

Print on the go from your smartphone, computer, or tablet using Google Cloud Print enabled apps.

Before you can use Google Cloud Print, make sure your printer is set up for Google Cloud Print. See [Setting up Cloud Printing, page 17](#).

Printing varies by application. For the latest update, go to www.google.com/cloudprint/learn/apps.html.

To print from a Chromebook:

Click the wrench and select **Print** to print the Web page you are viewing (you can also use the keyboard shortcut **Ctrl+P**).

To print from an iOS mobile device (iPhone, iPad, iPod touch):

- From GMAIL:
 - Email body: Select the email, then click the menu in the top-right corner and select **Print**.
 - Attachment: Click the **Print** button next to the attachment.
- From Google Docs:
 - Select the document, then click the menu in the top-right corner and select **Print**.

To print from an ANDROID OS Device:

Install the [Google Cloud Print App](#) from the ANDROID Market.

To print from a computer:

Install the [Chrome extension \(plug in\)](#) from the Chrome Web store, then:

- From GMAIL:
 - Email body: Select the email, then click the **Print all using Google Cloud Print** link at the top right of the email.
 - Attachment: Select **Print attachment using Google Cloud Print**.
- From Google Docs:
 - Select **File > Print using Google Cloud Print**.
- Web pages (URL must end with .pdf, .doc, or .txt):
 - Click **Print using Google Cloud Print** when it appears on the URL address bar.
 - For the latest information on supported formats, go to the [Chrome extension \(plug in\)](#) Web site.

To print from a BLACKBERRY OS Device:

We recommend you use KODAK Email Print.

Printing using KODAK Email Print Service

Printing emails, documents, and pictures

KODAK Email Print lets you send emails and email attachments (documents and pictures) to your printer from anywhere, using any device capable of sending email.

NOTE: Before you can use KODAK Email Print, your printer must be registered to Google Cloud Print (see [Registering your printer with Google Cloud Print, page 17](#)), and your printer must have an email address assigned by KODAK Email Print (see [Registering your printer with KODAK Email Print Service, page 18](#)).

To print using KODAK Email Print:

1. Make sure that your device or computer is connected to the Internet.
2. Open an email application (such as GMAIL, MICROSOFT OUTLOOK, HOTMAIL, YAHOO, iOS Mail, ANDROID OS Mail).
3. Write your email and attach the file(s) you would like to print.
4. Send the email to your printer email address.

The email body and attachments will print to your printer.

NOTE: If your printer has a photo paper tray, .jpg files attached to your email will automatically print to the photo paper tray, and documents will print to the main paper tray.

Printing pictures from a mobile device

When connected to the same Wi-Fi network, you can print pictures wirelessly with your all-in-one printer from:

- an iPhone (iOS 3.0 or later), iPod touch device (2nd generation), iPad (may not be available with all models).
- a BLACKBERRY Device (software v4.5 or later).
- a device running ANDROID OS v2.0 or later.

Download the KODAK Pic Flick App from the App Store directly from your device, then follow the procedure for your device. For information, go to www.kodak.com/go/mobile.

Printing pictures from an iPhone, iPad, or iPod touch device

IMPORTANT: *Requires iOS 3.0 or later.*

To print a picture from an iPhone, iPad, or iPod touch device (2nd generation):

1. Make sure your device is connected to the same Wi-Fi network as your printer.
2. Open the KODAK Pic Flick application on your device.
3. Select the picture(s) you want to print, then select **Choose Device**.
4. Select your KODAK All-in-One Printer from the list of available devices.
5. Select **Send**.

Printing pictures from a BLACKBERRY Device

To print a picture from a BLACKBERRY Device (software v4.5 or later):

1. Make sure your BLACKBERRY Device is connected to the same Wi-Fi network as your printer.
2. Open the KODAK Pic Flick application on your device.
3. Select the picture(s) you want to print.
4. Press the **Menu** key, then select **Print**.
5. Select your KODAK All-in-One Printer from the list of available devices.

NOTE: It may take a few minutes for the printer to appear in the Available Printers list.

6. Select the print size and enter the number of copies.
7. Select **Print**.

Printing pictures from an ANDROID OS Device

To print a picture from a device running ANDROID OS v2.0 or later:

1. Make sure your device is connected to the same Wi-Fi network as your printer.
2. Open the KODAK Pic Flick application on your device.
3. Select the picture(s) you want to print.
4. Select **View/Edit** to edit the picture(s), or go to step 5.
 - a. Press and hold the screen to enter the edit mode.
 - b. Rotate, move, pan, zoom, or crop the picture.
5. Press **Select Device**, then select your KODAK All-in-One Printer.
6. Select the print size.
7. Press **Back**, then select **Send**.

Copying

You can copy documents and pictures with your all-in-one printer. The printer produces high-quality color or black-and-white copies on a variety of paper types (see [Paper types, page 19](#)).

Copying a document

You can copy a document using the default settings, or you can adjust the quantity, size, quality, and brightness of your copies.

Using the default settings to copy a document

The default settings are either the factory default settings (see [Resetting factory defaults, page 64](#)), or defaults that you have set on the printer (see [Save as Defaults, page 40](#)).

To copy a document using the current default settings:

1. Lift the scanner lid, and place the document face down in the right-front corner of the scanner glass.



2. Close the lid.
3. Press **Home**.
4. Press **Start** to begin copying.

Adjusting the settings and copying a document

To copy a document using settings other than the default settings:

1. Lift the scanner lid, and place the document face down in the right-front corner of the scanner glass.



2. Close the lid.
3. Press **Home**.
4. With **Copy Document** selected, press **OK**.
5. Press ▼ to select an option, then press ◀ or ▶ to change the setting.

Copy Document Option	Setting	Description
Quantity	1 (default) to 99	The number of copies that print.
Color	Color (default)	Prints full color.
	Black & White	Prints black and white (grayscale).
Copy Size	Same Size (default)	The copy is the same size as the original.
	Fit to Page	The printer detects the size of the original on the scanner glass and the size of the paper in the paper tray, and automatically reduces or enlarges the original so that the copy fits on the paper.
	20% to 500%	Reduces down to 20% or enlarges up to 500% of the original size.

Copy Document Option	Setting	Description
Plain Paper Quality	Normal (default)	Good quality output; prints faster than Best.
	Best	The highest quality, but the slowest print speed.
	Draft	The fastest print speed, but the lowest quality.
Photo Paper Quality	Auto. (default)	The printer detects photo paper in the paper tray and sets Best quality automatically.
Brightness	Normal, -3 to +3 (Normal is default)	Lightens or darkens the copy. Normal is no change from the original; -3 is the darkest; +3 is the lightest.
Save as Defaults	No / Yes	To save the settings as the new default, press OK . With Yes selected, press OK .

6. Press **Start** to begin copying.

Changing the number of copies of a document

To change the number of copies:

1. Lift the scanner lid, and place the document face down in the right-front corner of the scanner glass.



2. Close the lid.
3. Press **Home**.
4. With **Copy Document** selected, press ◀ or ▶ to select a number.
5. Press **Start** to begin copying.

Enlarging or reducing a document

To enlarge or reduce the size of the copy:

1. Lift the scanner lid, and place the document face down in the right-front corner of the scanner glass.



2. Close the lid.
3. Press **Home**.
4. With **Copy Document** selected, press **OK**.
5. Press ▼ to select **Copy Size**.
6. Press ◀ or ▶ to select an enlargement or reduction.
7. Press **Start** to begin copying.

Darkening or lightening a copy

To darken or lighten the copy:

1. Lift the scanner lid, and place the document face down in the right-front corner of the scanner glass.



2. Close the lid.
3. Press **Home**.
4. With **Copy Document** selected, press **OK**.
5. Press ▼ to select **Brightness**.
6. Press ◀ to select a number below zero for a darker copy, or press ▶ to select a number above zero for a lighter copy.
7. Press **Start** to begin copying.

Copying a photograph

You can copy a photograph using the default settings, or you can adjust the quantity, size, quality, and brightness of your copies.

Using the default settings to copy a photograph

The default settings are either the factory default settings (see [Resetting factory defaults, page 64](#)), or defaults that you have set on the printer (see [Save as Defaults, page 45](#)).

To copy a photograph using the current default settings:

1. Load photo paper into the printer (see [Loading photo paper, page 22](#)).
2. Lift the scanner lid, and place the photograph face down in the right-front corner of the scanner glass.



3. Close the lid.
4. Press **Home**.
5. Press ▼ to select **Copy Photo**.
6. Press **Start** to begin copying.

Adjusting the settings and copying a photograph

To copy a photograph using settings other than the default settings:

1. Lift the scanner lid, and place the photograph face down in the right-front corner of the scanner glass.



2. Close the lid.
3. Press **Home**.
4. Press ▼ to select **Copy Photo**, then press **OK**.
5. Press ▼ to select an option, then press ◀ or ▶ to change the setting.

Copy Photo Option	Setting	Description
Quantity	1 (default) to 99	The number of copies that print.
Color	Color (default)	Prints full color.
	Black & White	Prints black and white (grayscale).
Copy Size	2 x 3	The printer enlarges or reduces the original to make it the copy size you select. If the selected copy size is smaller than the paper in the paper tray, the printer automatically arranges the pictures to best fit the paper size.
	3.5 x 5	
	4 x 6 (default)	
	4 x 7	
	4 x 8	
	5 x 7	
	4 x 12	
	8 x 10	
8.5 x 11 or A4		

Copy Photo Option	Setting	Description
Plain Paper Quality	Normal (default)	Good quality output; prints faster than Best.
	Best	The highest quality, but the slowest print speed.
	Draft	The fastest print speed, but the lowest quality.
Photo Paper Quality ^a	Auto. (default)	The printer detects photo paper in the paper tray and sets Best quality automatically.
Brightness	Normal (default) -3 to +3	Lightens or darkens the copy. Normal is no change from the original; -3 is the darkest; +3 is the lightest.
Preview	No (default) Yes	To see a preview of the photograph on the LCD, select Yes .
Save as Defaults	No / Yes	To save the settings as the new default, press OK . With Yes selected, press OK .

a. For photo paper quality copies, load photo paper into the printer (see [Loading photo paper](#), page 22)

6. Press **Start** to begin copying.

Changing the number of copies of a photograph

To change the number of copies:

1. Lift the scanner lid, and place the photograph face down in the right-front corner of the scanner glass.



2. Close the lid.
3. Press **Home**.
4. Press ▼ to select **Copy Photo**, then press **OK**.
5. Make sure **Quantity** is selected.
6. Press ◀ or ▶ to select a number.
7. Press **Start** to begin copying.

Enlarging or reducing a photograph

To enlarge or reduce the size of the copy:

1. Lift the scanner lid, and place the photograph face down in the right-front corner of the scanner glass.



2. Close the lid.
3. Press **Home**.
4. Press ▼ to select **Copy Photo**, then press **OK**.
5. Press ▼ to select **Copy Size**.

NOTE: Make sure that the paper loaded in the input tray is at least as wide as the Copy Size selected or you will get a wrong paper size error. Also, if the loaded paper is not as long as the Copy Size selected, the output picture will be cut off without any warning.

6. Press ◀ or ▶ to select the copy size.
7. Press **Start** to begin copying.

Darkening or lightening a photograph

To darken or lighten the copy:

1. Lift the scanner lid, and place the photograph face down in the right-front corner of the scanner glass.



2. Close the lid.
3. Press **Home**.
4. Press ▼ to select **Copy Photo**, then press **OK**.
5. Press ▼ to select **Brightness**.
6. Press ◀ to select a number below zero for a darker copy, or press ▶ to select a number above zero for a lighter copy.
7. Press **Start** to begin copying.

Scanning digitizes documents and pictures, and sends the digital files to your computer.

When you scan, the digital file can:

- Open in Home Center Software (when Home Center Software is loaded and the printer is connected to a computer with WINDOWS OS)
- Open in a third-party scanner software
- Be saved in a format and location that you determine (see [Changing the scan settings for scanning from the printer control panel, page 49](#))

There are two ways to scan: From the control panel on the printer, or from a software program on the computer. Scanning from a software program on the computer (such as Home Center Software) is recommended because it gives you more options.

Before you begin scanning

Make sure that the printer is connected to a computer using a USB cable or wireless network (see [Chapter 2, Networking Your Printer](#)). If you plan to scan directly from the printer control panel, you may change the scan settings as described below.

Changing the scan settings for scanning from the printer control panel

Adjust the scan settings that the printer uses before you scan from the printer control panel.

1. Open the Printer Tools window.
 - On a computer with WINDOWS OS, select **Start > All Programs > Kodak > Kodak AiO Printer Tools**.
 - On a computer with MAC OS, open Home Center Software, then select the **Tools** tab.
2. Under the Tools heading, select **Printer Scan Settings**.
3. Adjust settings for scanning documents and pictures:
 - a. To select a program that scanned images or documents will appear in when you scan from the printer control panel:
 - (1) Select the **General** tab.
 - (2) Under the Program List heading, click ▼ next to the currently selected program.
 - (3) From the drop-down list, select the program in which you want the scanned files to open.

- b. To adjust settings for scanning documents, select the **Document** tab, then select an option for each setting:

Setting	Options
Scan As	Black and white Color Grayscale
File format	.pdf .rtf (available only when connected to a computer with WINDOWS OS) .tif .jpg .bmp (available only when connected to a computer with MAC OS)
Resolution (dpi)	75 150 200 300
File Save	Prompt for File Name and Location Automatically Save - specify: <ul style="list-style-type: none"> • Base name; by default, scanned files are names "scan1", "scan2", and so on. • Location (folder) where the scanned files will be saved

- c. To adjust settings for scanning pictures, select the **Picture** tab, then select an option for each setting:

Setting	Options
Scan As	Color Black and white
File format	.jpg .bmp .tif
Resolution (dpi)	75 150 200 300 600

Setting	Options
Quality	<p>When connected to a computer with WINDOWS OS:</p> <ul style="list-style-type: none"> ▪ Best for E-mail ▪ Normal ▪ High ▪ Maximum <p>When connected to a computer with MAC OS, a slider bar with:</p> <ul style="list-style-type: none"> ▪ Least ▪ Medium ▪ Best
Automatically Detect Pictures (when connected to a computer with WINDOWS OS) or Auto Crop (when connected to a computer with MAC OS)	When selected, multiple pictures placed on the scanner glass are saved as separate files.
File Save	<p>Prompt for File Name and Location</p> <p>Automatically Save - specify:</p> <ul style="list-style-type: none"> ▪ Base name; by default, scanned files are names "scan1", "scan2", and so on. ▪ Location (folder) where the scanned files will be saved

NOTE: Before you save a scanned file, you will be able to preview it in Home Center Software, crop and sharpen the image, and adjust color, if desired. On a computer with WINDOWS OS, see the Home Center Software Help (? icon) for instructions.

4. When you are finished making selections, click **OK** on the bottom right of the Printer Scan Settings window.
5. Close the Printer Tools window.

Scanning from the computer

To scan a document or a picture on a computer:

1. Lift the scanner lid, and place the document or picture face down on the glass.
2. Close the scanner lid.
3. Open Home Center Software.
 - On a computer with WINDOWS OS, double-click **Scan Documents and Pictures**, then follow the on-screen instructions.
 - On a computer with MAC OS and Home Center Software, select the **Tools** tab, click **Scan Application**, then follow the on-screen instructions.

NOTE: If you are not using Home Center Software, open a program that allows you to scan, then follow the instructions.

Scanning multiple pictures simultaneously

Using Home Center Software, you can scan multiple pictures simultaneously and save them as separate files.

When scanning multiple pictures, leave space between the pictures so that the printer can detect the separate pictures. Any pictures that overlap are interpreted as a single picture.

Scanning multiple pictures when connected to a computer with WINDOWS OS

To scan multiple pictures simultaneously, and save them as separate files:

1. Lift the scanner lid, and place the pictures face down on the glass, leaving space between the pictures.
2. Close the lid.
3. Open Home Center Software, then double-click **Scan Documents and Pictures**.
4. Make sure that **Picture** is selected and **Collage - Combine all pictures** is cleared, then follow the on-screen instructions.

NOTE: Click the Help icon for additional instructions.

Scanning multiple pictures when connected to a computer with MAC OS

To scan multiple pictures simultaneously, and save them as separate files:

1. Lift the scanner lid, and place the pictures face down on the glass, leaving space between the pictures.
2. Close the lid.
3. Open Home Center Software, then select your printer.
4. Select the **Tools** tab.
5. Click **Scan Application**.
6. Select **Color Picture** or **Black and White Picture**.
7. Select **Automatically detect multiple pictures**, if it is not selected.
8. Click **Preview** or **Scan All**, then follow the on-screen instructions.

NOTE: Click the Help icon for additional instructions.

Scanning from the control panel

To scan a document or a picture from the control panel:

1. Lift the scanner lid, and place the original document or picture face down in the right-front corner of the scanner glass.



2. Close the lid.
3. Press **Home**.
4. Press ▼ to select **Scan**, then press **OK**.
The Scan Options menu appears on the LCD.
5. Press ▼ to select an option, then press ◀ or ▶ to change the setting.

Scan Option	Settings	Description
Scan To	USB computer (default)	The scanned file is sent to the USB-connected computer.
	Name of computer (only if a computer is connected by wireless network)	The scanned file is sent to the computer on the wireless or Ethernet network.
	Memory Card	The scanned file is sent to the memory card in the memory card slot

Scan Option	Settings	Description
Scan What	Document (default)	Sets the scan settings for scanning a document (see Changing the scan settings for scanning from the printer control panel, page 49).
	Photo	Sets the scan settings for scanning a photograph (see Changing the scan settings for scanning from the printer control panel, page 49).
Scan Dest. (Destination)	File (default)	Sends the scanned file in the format and to the destination on your computer that you designate (see Changing the scan settings for scanning from the printer control panel, page 49).
	Application	Sends the scanned file to Home Center Software.
Save as Defaults	No / Yes	To save the settings as the new default, press OK . With Yes selected, press OK .

6. Press **Start** to make a scan.

The scanned file appears at the destination you specified.

Maintaining Your Printer

Your printer requires little maintenance. However, Kodak recommends cleaning the scanner glass and lid regularly to remove dust and fingerprints, which affect the quality and accuracy of scanning.

Except while cleaning the printer, keep the printer plugged into an AC power outlet. If you use a power strip, don't turn off the power strip. (The printer does not need to be turned on but should be plugged in.)

For optimal performance, keep the printer connected to a computer that is powered on and has the KODAK Home Center Software installed, or keep the printer powered on and connected to the Internet through a wireless network.

Keep the printhead and ink cartridges in the printer at all times to help prevent damage to the printhead.

For recycling and/or disposal information, contact your local authorities. In the US, go to the Electronics Industry Alliance at www.eia.org or go to www.kodak.com/go/recycle.

General care and cleaning

 CAUTION:

Always disconnect the power to the printer before cleaning it. Do not use harsh or abrasive cleaners on any part of the printer.

- To clean the printer, wipe the outside with a clean, dry cloth.
- Keep the surrounding area vacuumed and litter-free.
- Protect the printer from tobacco smoke, dust, and liquid spills.
- Do not place objects on the printer.
- Keep the input tray free of dust, dirt, and other foreign objects.
- Keep the printer supplies away from direct sunlight and out of high-temperature environments.
- Do not allow chemicals to come into contact with the printer.

Cleaning the scanner glass and document backing

The scanner glass can get smudged and minor debris can accumulate on the white document backing under the scanner lid. Periodically clean the scanner glass and document backing.



CAUTION:

Do not use harsh or abrasive cleaners on any part of the printer.

Do not spray liquid directly on the glass.

Do not use paper-based wipes on the document backing as they can scratch it.

To clean the scanner glass and document backing under the scanner lid:

1. Turn off the printer and unplug it from the power outlet.
2. Lift the scanner lid.



3. Wipe the glass with a soft cloth or sponge, slightly moistened with a nonabrasive glass cleaner.



4. Dry the glass with a lint-free cloth.
5. Gently clean the document backing with a soft cloth or sponge, slightly moistened with mild soap and warm water.



6. Dry the document backing with a chamois or lint-free cloth.
NOTE: If the document backing needs further cleaning, use isopropyl (rubbing) alcohol on a soft cloth, then wipe thoroughly with a cloth moistened with water to remove any residual alcohol.
7. When you finish cleaning, plug in the printer and press the on/off button to power on the printer.

Replacing ink cartridges

Your printer uses both black and color ink cartridges. You can check the approximate ink levels on the LCD (see [Checking ink levels, page 64](#)). When an ink cartridge is out of ink, the printer LCD displays a message stating that the black or color ink cartridge needs replacing. You can order ink cartridges online. Open Home Center Software and select **Order Supplies**.

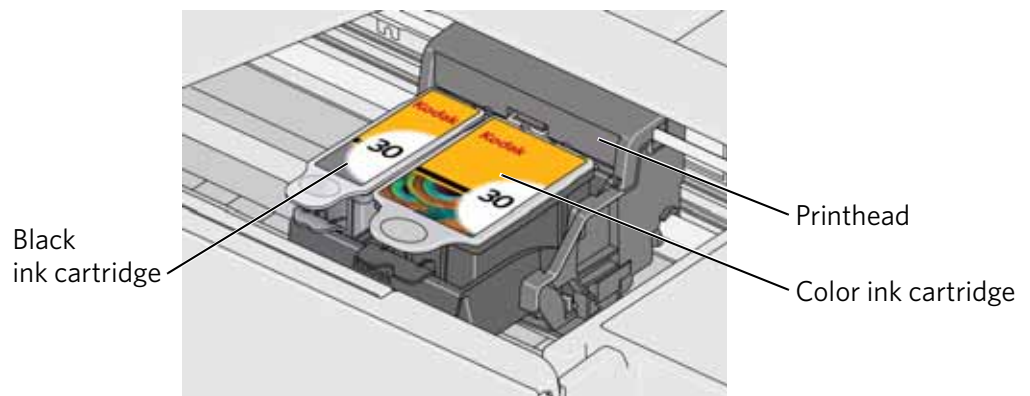
IMPORTANT: *Do not use non-Kodak brand or refilled ink cartridges.*

To replace an ink cartridge:

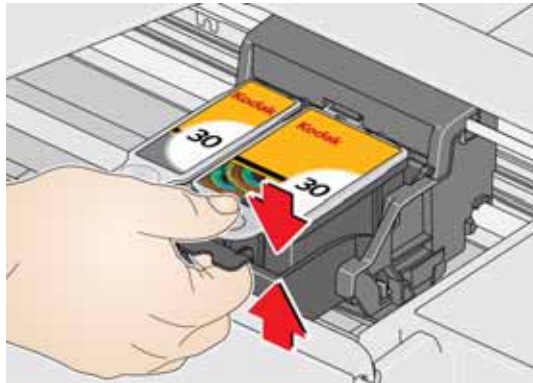
1. Make sure your printer is on.
2. Lift the printer access door, and wait for the carriage to move to a position where you can access it.



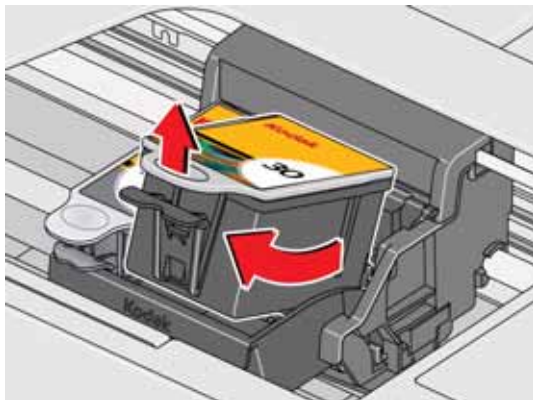
The ink cartridges are located in the printhead.



3. Pinch the tab on the ink cartridge.



4. Lift the ink cartridge out of the printhead.

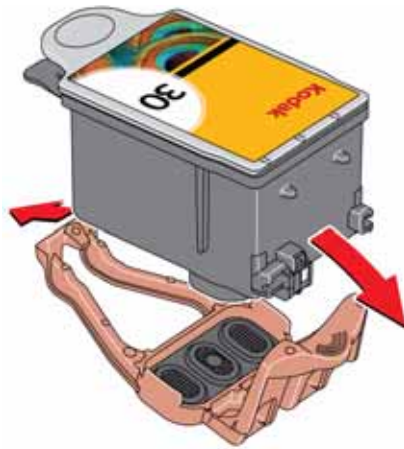


5. Remove the new ink cartridge from its bag.

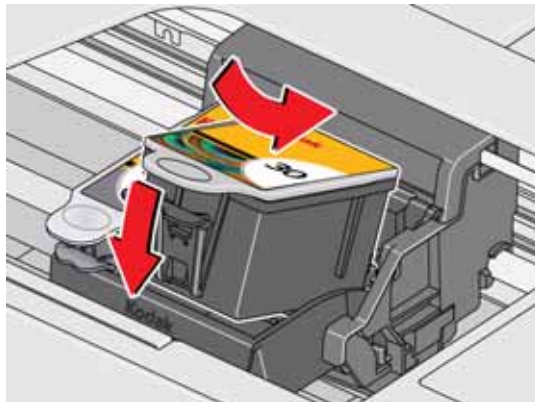


IMPORTANT: *To prevent the printhead from drying out, insert the ink cartridge into the printhead immediately.*

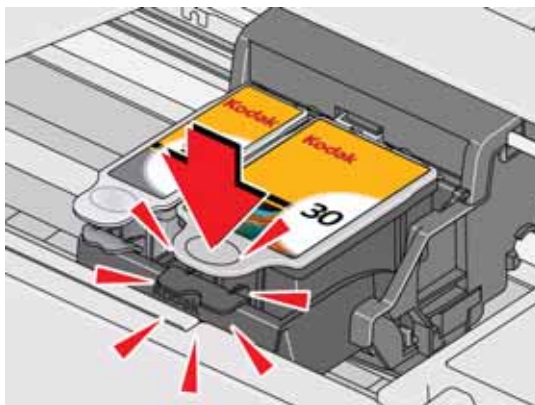
6. Remove the protective cap from the cartridge.



7. Insert the ink cartridge into the printhead.



8. Press down on the ink cartridge tab until you hear a click.



9. Close the printer access door.

Updating the software and printer firmware

Using the latest software and firmware helps ensure optimal performance of your printer.

NOTE: Firmware is the software that runs on your printer.

Although there is a background check for software and firmware updates, you may update manually using the following procedure.

Updating manually if your printer is connected to a computer with WINDOWS OS

To update the software:

1. Make sure that your computer is connected to the Internet.
2. Select **Start > All Programs > Kodak > Kodak AiO Printer Tools**.
3. Under Printer Resources, click **Check for Software Updates** to check whether software updates are available.
4. If there are updates, click **Next** and follow the on-screen instructions.

To update the firmware:

1. Make sure that your computer is connected to the Internet.
2. Connect the printer to the computer with a USB cable or wirelessly (if not currently connected).
3. Select **Start > All Programs > Kodak > Kodak AiO Printer Tools**.
4. Make sure that **KODAK ESP C310 Series AiO - Connected** appears in the lower left corner of the Printer Tools window.

NOTE: If **KODAK ESP C310 Series AiO - Connected** does not appear in the lower left corner, click **Select**, then click **Refresh List** and choose your printer from the list; click **Install KODAK Printer** and follow the on-screen instructions.

5. Under Printer Resources, click **Check for Printer (Firmware) Updates**.
6. If there are updates, click **Next** and follow the on-screen instructions.

IMPORTANT: *Do not turn off or unplug your printer or your computer during the update. Doing so may cause the printer to become inoperable. If the printer is connected wirelessly, make sure you have a stable connection when you perform the update.*

Updating manually if your printer is connected to a computer with MAC OS

To update the software:

1. Make sure that your computer is connected to the Internet.
2. Open Home Center Software.
3. Select the **Tools** tab.
4. Click **Check for Software Updates**.
5. If there are software updates, follow the on-screen instructions for updating your software.

To update the firmware:

1. Make sure that your computer is connected to the Internet.
2. Connect the printer to the computer with a USB cable or wirelessly (if not currently connected).
3. Open Home Center Software.
4. Select the **Tools** tab.
5. Click **Check for Printer (Firmware) Updates**.
6. If there are updates, follow the on-screen instructions.

IMPORTANT: *Do not turn off or unplug your printer or your computer during the update. Doing so may cause the printer to become inoperable.*

Monitoring and adjusting printer performance

From the control panel, you can perform tasks to help keep the printer functioning well.

Checking ink levels

To check the ink levels:

1. Press **Home**.
2. Press ▼ to select **Maintenance**, then press **OK**.
3. With **Check Ink Levels** selected, press **OK**.

The LCD shows approximate levels of ink in the cartridges so you know when it's time to order replacement cartridges.

NOTE: You can order ink cartridges online. Open Home Center Software and select **Order Supplies**.

Resetting factory defaults

To reset defaults to the factory default settings:

1. Press **Home**.
2. Press ▼ to select **Printer Settings**, then press **OK**.
3. Press ▼ to select **Reset All Settings**, then press **OK**.
4. When you see the message, "This will reset printer settings to factory defaults," press **OK**.

NOTE: Resetting factory defaults does not change the date and time, language, country/region, or network settings.

Replacing the printhead

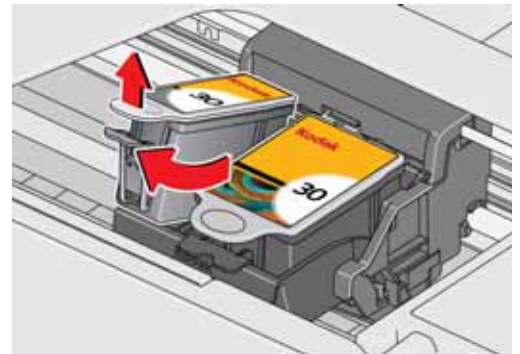
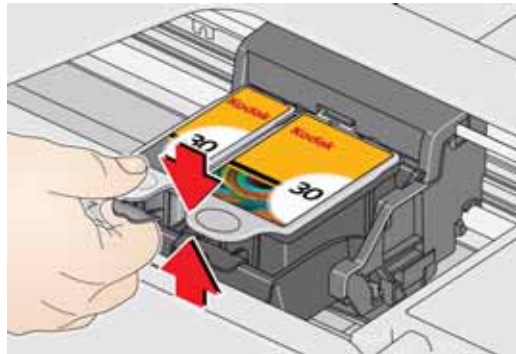
IMPORTANT: Replacing the printhead is not a regular maintenance procedure. Replace the printhead only if you receive a new printhead from Kodak.

To replace the printhead:

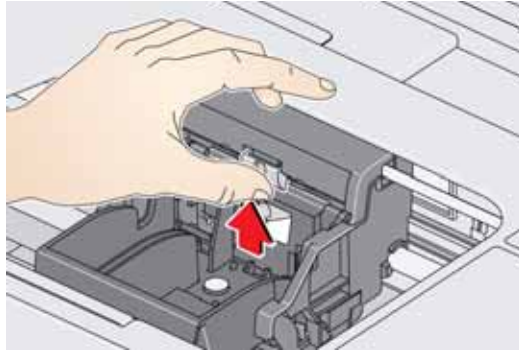
1. Make sure your printer is on.
2. Lift the printer access door, and wait for the carriage to move to the access position.



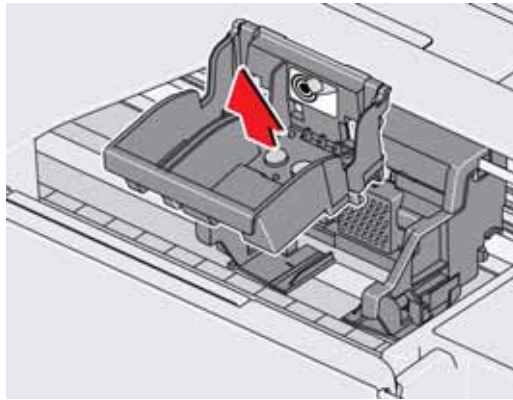
3. Remove both ink cartridges and set them aside.



4. Unlatch the used printhead by lifting the button in the center of the carriage.



5. Lift the used printhead out of the carriage.

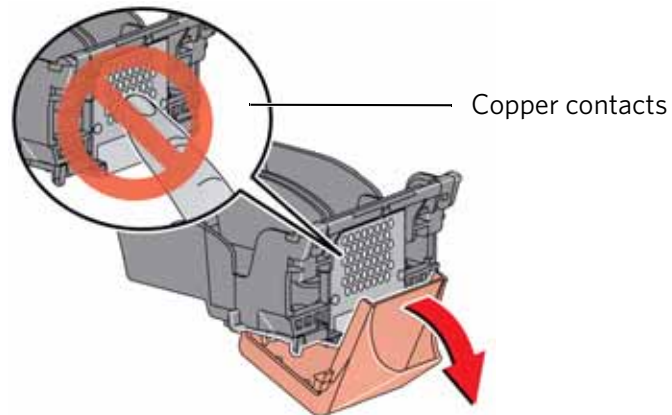


6. Remove the new printhead from its bag.



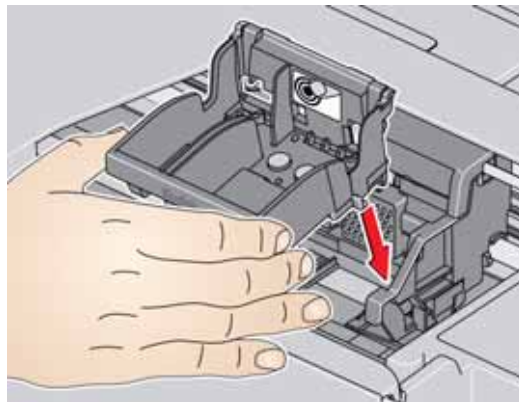
⚠ CAUTION:
Do not touch the copper contacts on the printhead, as doing so may damage the printhead.

7. Remove the plastic protective cap.

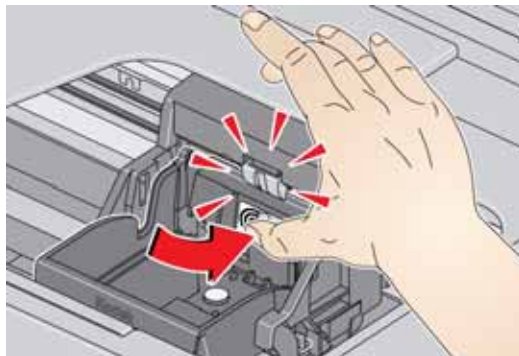


IMPORTANT: *Be careful not to scratch or touch the copper contacts while inserting the printhead.*

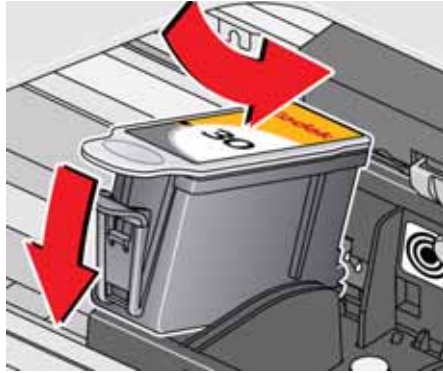
8. Place the new printhead into the carriage.



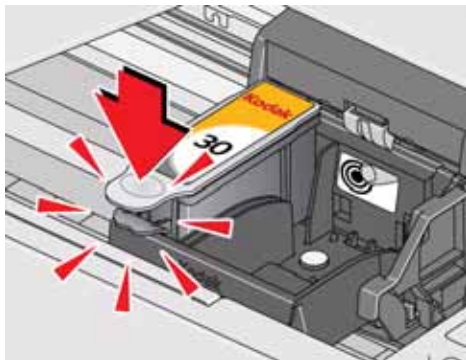
9. Push firmly against the target label of the printhead until you hear a loud snap.



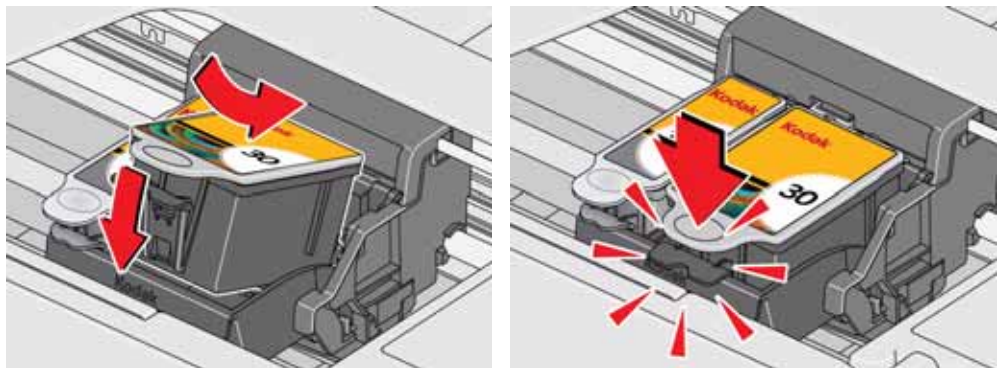
10. Insert the black ink cartridge into the printhead.



11. Press down on the ink cartridge until you hear it click into position.



12. Repeat steps 10 - 11 for the color ink cartridge.



13. Close the printer access door.

The printer detects the new printhead. Follow the instructions on the LCD to calibrate your printer.

Basic troubleshooting

Some problems can be resolved quickly by power cycling the printer: Turn off your printer. Wait five seconds. Turn on the printer.

Use the following information to help troubleshoot problems with your printer.

Problem	Possible Solutions
Printer does not power on	<ul style="list-style-type: none"> ▪ Make sure you are using the power cord that came with your printer. ▪ Make sure that the power cord is connected to the AC adapter, the power cord is plugged into an outlet or power strip, and the LED on the AC adapter is lit.
Printer not detected	<ul style="list-style-type: none"> ▪ Make sure your printer is plugged in and turned on. ▪ If you are using a USB cable, make sure that: <ul style="list-style-type: none"> - it is a USB 2.0 high-speed cable. - it is connected to both your printer and your computer. - you restart the computer if the USB cable was disconnected from the printer then reconnected, or if power to the printer was interrupted. ▪ If you are using a wireless connection, make sure that: <ul style="list-style-type: none"> - the Wi-Fi connectivity LED on the printer is glowing steadily. - the printer is connected to your wireless network. <p>To check:</p> <ol style="list-style-type: none"> a. On the printer, press Home. b. Press ▼ to select Network Settings, then press OK. c. Press ▼ to select View Network Configuration, then press OK. <p>Make sure that the Active Connection Type is Wi-Fi, and that the IP Address is not 0.0.0.0.</p> <ul style="list-style-type: none"> - your router is transmitting data. - the firewall (excluding WINDOWS Firewall) is allowing the services needed for your printer. <p>For more information, go to www.kodak.com/go/inkjetnetworking.</p>
Wireless connectivity	For wireless connectivity issues, go to www.kodak.com/go/inkjetnetworking .
Carriage jam	<ul style="list-style-type: none"> ▪ Open the printer access door and clear any obstructions. ▪ Check that the printhead and ink cartridges are installed correctly. (The printhead and ink cartridges are installed correctly when you hear them click into place.)

Problem	Possible Solutions
Print quality	<ul style="list-style-type: none"> ▪ For best results, use paper with the COLORLOK Technology logo on the package. ▪ Make sure the paper is loaded correctly. See Loading paper, page 20. ▪ Clean the printhead: <ul style="list-style-type: none"> - Press Home. - Press ▼ to select Maintenance, then press OK. - Press ▼ to select Clean Printhead, then press OK. ▪ Calibrate the printer: <ul style="list-style-type: none"> - Press Home. - Press ▼ to select Maintenance, then press OK. - Press ▼ to select Calibrate Printer, then press OK. ▪ For more help, go to www.kodak.com/go/espc310support, then type missing colors, blank prints, or other problem in the search field.
Ink cartridge	<ul style="list-style-type: none"> ▪ Check that KODAK Ink Cartridge(s) are installed. Do not use non-Kodak brand or refilled ink cartridges. ▪ Remove, then install the cartridges again. Make sure the cartridges click into place.
Paper jam	<ul style="list-style-type: none"> ▪ Open the access door. ▪ Gently pull paper out from the front, reaching through the opening above the paper output tray. ▪ If you cannot access the paper from the front, gently pull the jammed paper up from the paper input tray. ▪ Make sure the paper in the input tray is free of tears or creases. ▪ Make sure you do not overload the paper input tray. <p>For more information, go to www.kodak.com/go/espc310support, then type Paper jam in the search field.</p>
Error codes/messages	Go to www.kodak.com/go/espc310support , then type your error code or message.

Getting help on the Web

For more troubleshooting information:

Get help with wireless networking.	www.kodak.com/go/inkjetnetworking .
Search our knowledge base of Questions and Answers.	www.kodak.com/go/espc310support
Download the latest firmware and software for optimal printer performance.	www.kodak.com/go/espc310downloads
Get help with problems you cannot resolve.	<p>Contact Kodak at www.kodak.com/go/contact and have the following information available:</p> <ul style="list-style-type: none"> - KODAK Service Number (located inside the printer when you open the printer access door) - Printer model number (located on the control panel) - Computer model, operating system, and version of Home Center Software

Status lights

The status lights indicate the condition of the printer. There are two status lights on the printer: one on the on/off button that indicates power, the other indicates Wi-Fi status.

Power light

Power light	What it means
Off	<ul style="list-style-type: none"> ▪ The printer is turned off. <ul style="list-style-type: none"> - Press the on/off button to turn on power. ▪ The printer does not have power. <ul style="list-style-type: none"> - Make sure that the power cord is plugged into the back of the printer and into an electrical outlet, and that the electrical outlet has power.
Blinking	<ul style="list-style-type: none"> ▪ The printer is busy. <ul style="list-style-type: none"> - Wait for the printer to finish the task.
On	<ul style="list-style-type: none"> ▪ The printer is ready.

Wi-Fi connectivity LED

Wi-Fi connectivity LED	What it means
Off	The Wi-Fi radio is either turned off or is turned on but not connected to a wireless network.
Blinks continuously	The Wi-Fi radio is turned on, and the printer is searching for available wireless networks within range.
Blinks intermittently	<p>The Wi-Fi radio is turned on and the printer cannot find any available wireless networks within range, or the Wi-Fi radio connection has been interrupted, or is too weak to send signals to and from the printer.</p> <p>To find and connect to an available wireless network within range, press OK, turn the Wi-Fi radio off, and run the Wi-Fi Setup Wizard (see Connecting to a wireless network, page 6).</p>
On	The Wi-Fi radio is turned on, and there is a working connection between the printer and a wireless network.

Product and Safety Specifications

The following specifications are subject to change without notice.

Specifications and features

Print performance

ISO/IEC 24374 ESAT 6 ipm

ISO/IEC 24374 ESAT 4 ipm

Print technology Continuous-tone, thermal inkjet

Print quality modes Draft, Normal, and Best on plain paper
Photo quality mode on photo paper

Photo printing features

Quantity 1 to 99

Print sizes 2 x 3 in. / 5 x 8 cm
3.5 x 5 in. / 9 x 13 cm
4 x 6 in. / 10 x 15 cm
4 x 7 in. / 10 x 18 cm
4 x 8 in. / 10 x 20 cm
4 x 12 in. / 10 x 30 cm (Panoramic)
5 x 7 in. / 13 x 18 cm
8 x 10 in. / 20 x 25 cm
US Letter - 8.5 x 11 in. / 22 x 28 cm
A4 - 8.3 x 11.7 in. / 21 x 30 cm

Quality Best, Normal, Draft modes on plain paper
Photo quality mode on photo paper

Auto-detect media Auto-detect plain paper and photo papers
Optimize image quality for KODAK Photo Papers with barcode

Image enhancement KODAK PERFECT TOUCH Technology with Home Center Software

Add date to prints No (default), Yes

Color Black-and-white or color

Scene balance On (default), Off

Copy document features

Color Black-and-white or color

Quantity 1 to 99 copies

Copy sizes Same Size, Fit-to-Page, 20% to 500%

Plain paper quality Best, Normal, Draft

Brightness - 3 to + 3

Copy photo features

Color	Black-and-white or color
Quantity	1 to 99 copies
Copy sizes	2 x 3 in. / 5 x 8 cm 3.5 x 5 in. / 9 x 13 cm 4 x 6 in. / 10 x 15 cm 4 x 7 in. / 10 x 18 cm 4 x 8 in. / 10 x 20 cm 4 x 12 in. / 10 x 30 cm (Panoramic) 5 x 7 in. / 13 x 18 cm 8 x 10 in. / 20 x 25 cm US Letter - 8.5 x 11 in. / 22 x 28 cm A4 - 8.3 x 11.7 in. / 21 x 30 cm
Quality	Automatic
Brightness	- 3 to + 3

Scanning features

Scanner type	Contact Image Sensor (CIS)
Maximum scan size	8.5 x 11.7 in. / 22 x 30 cm
Functions	Segmentation scanning Auto-destination OCR Auto picture detection

Paper input tray features

Paper capacity	100 sheets of 20 lb plain paper 20 sheets of photo paper, up to 12 mil (290 gsm) 20 envelopes
Tray size	4 x 6 in. to 8.5 x 14 in. / 10 x 15 cm to 22 x 36 cm

Ink cartridges

Ink handling	2-cartridge, 4-ink system
Ink life	1-year warranty from date of purchase

Connectivity

- Protocols supported** USB 2.0 High Speed; DPOF
- Devices supported** WINDOWS OS-based and MACINTOSH Computers, memory cards (SD, MS/Duo, MMC, SDHC)
- Image Formats supported** Image printing supports JPEG (EXIF v2.2); does not support progressive JPEG format
- Number of USB ports** One rear device port (high speed)
- Protocols supported** USB 2.0 High Speed (for connection to computer only), DPOF (Tagged image printing)
- Wi-Fi Technology supported** 802.11b/g/n, WPA/WPA2, WPS, and WEP

Software support

- Application support** Third-party image management applications; optical character reader (OCR) support for documents
- Media support** Plain paper, photo paper, envelopes, greeting cards, and labels
- Scanner support** TWAIN and WIA, WIA2 (VISTA OS and WINDOWS 7), ICA (MAC OS), including segmentation scanning
- Update support** Software and firmware updates available through Web support

Physical specifications

- Power** Input: 110-240 V AC, 50-60 Hz
The printer shall only be used with a switching adapter.
Output: 36 V DC at 0.9 A
- Dimensions** 16.5. x 6.7. x 12.6 in. / 420 x 170 x 320 mm [L x H x D]
- Weight** 12.7 lb / 5.7 kg
- Operating range** 5°C (41°F) to 35°C (95°F), 15 to 85% RH
- Full image quality environmental range** 15°C (59°F) to 30°C (86°F), and 20 to 80% RH.
- Energy efficiency** ENERGY STAR® Qualified All-in-One Printer

Warranty

- Printer** One year from purchase (with proof of purchase)
- Printhead** One year from purchase (with proof of purchase)

System requirements

Computer with WINDOWS OS

Minimum

Operating system	WINDOWS 7, VISTA, or XP (SP2 or later)
CPU	INTEL CELERON Processor
Clock speed	1.2 GHz
Memory	512 MB RAM
Available hard disk space	500 MB available
Interface	USB 2.0 High Speed
Removable drive	CD-ROM

Computer with MAC OS

Minimum

Operating system	MAC OS X 10.4.8 or later
CPU	PowerPC G4, G5, or INTEL-based MAC
Clock speed	1.2 GHz
Memory	512 MB RAM
Available hard disk space	200 MB available
Interface	USB 2.0 High Speed
Removable drive	CD-ROM

Paper types supported

Plain paper	16 to 24 lb (60 to 90 gsm)
Photo paper	Up to 12 mil (290 gsm)
Card stock	110 lb index max (200 gsm)
Envelopes	20 to 24 lb (75 to 90 gsm)
Labels	All commercially available inkjet varieties on 8.5 x 11 in. and A4 size sheets
Iron-on transfers	All commercially available inkjet varieties on 8.5 x 11 in. and A4 size sheets

Paper sizes supported

- Plain paper** A4 (8.3 x 11.7 in. / 21 x 30 cm)
A5 (5.8 x 8.3 in. / 15 x 21 cm.)
A6 (4.1 x 5.8 in. / 11 x 15 cm)
B5 (6.9 x 9.8 in. / 18 x 25 cm)
US Executive (7.3 x 10.5 in. / 18 x 27 cm)
US Letter (8.5 x 11 in. / 22 x 28 cm)
US Legal (8.5 x 14 in. / 22 x 36 cm)
Custom sizes from 4 to 8.5 in. / 10 to 22 cm wide and
6 to 14 in. / 15 to 36 cm long
- Labels** A4 (8.3 x 11.7 in. / 21 x 30 cm)
US Letter (8.5 x 11 in. / 22 x 28 cm)
- Index card stock** 4 x 6 in. / 10 x 15 cm cards
5 x 7 in. / 13 x 18 cm index cards
- Iron-on transfers** A4 (8.3 x 11.7 in. / 21 x 30 cm)
US Letter (8.5 x 11 in. / 22 x 28 cm)
- Envelopes** C5 (6.7 x 9 in. / 16 x 23 cm)
C6 (4.5 x 6.4 in. / 11 x 16 cm)
DL (designated long) (11 x 22 cm / 4.3 x 8.7 in.)
US #7¾ (3.9 x 7.5 in. / 10 x 19 cm)
US #9 (3.9 x 8.9 in. / 10 x 23 cm)
US #10 (4.1 x 9.5 in. / 10.5 x 24 cm)
- Photos** 4 x 6 in. / 10 x 15 cm
4 x 7 in. / 10 x 18 cm
4 x 8 in. / 10 x 20 cm
4 x 12 in. / 10 x 31 cm
5 x 7 in. / 13 x 18 cm
7 x 10 in. / 18 x 25 cm
8 x 10 in. / 20 x 25 cm
US Letter (8.5 x 11 in. / 22 x 28 cm)
A4 (8.3 x 11.7 in. / 21 x 30 cm)

Safety information

KODAK ESP C310 All-in-One Printers are Class 1 LED Products.

- Always follow all warnings and instructions marked on the product.
- Use only the power source indicated on the product regulatory label.
- Use only the power cord that comes with the product (or an approved power cord greater or equal to H05W-F, 3G, 0.75mm²). Using another power cord may cause fire and/or shock. Do not use the included power cord with any other equipment.
- If you do not use this product for a long period of time, unplug it from the electrical outlet.
- Always turn this product off by using the On/Off button. Wait until the On/Off button stops flashing before removing the power plug from the outlet.
- Do not allow the power cord to become damaged or frayed.
- If you need to use an extension cord with this product, make sure that the ampere rating of the product does not exceed the ampere rating of the extension cord.
- Place the product on a flat, stable surface that extends beyond the product's base in all directions. This product will not operate properly if tilted or at an angle.
- When storing or transporting this product, do not tilt or stand it on its side. Never turn this product upside down (ink can leak out of the product).
- Avoid placing this product in an environment that is subject to rapid changes in temperature or humidity, mechanical shocks, vibration, or dust. Do not place near radiators, heating vents, or in direct sunlight.
- Leave enough room around this product for sufficient ventilation.
- Do not block this product's covers or openings, or insert any objects through slots.
- Do not use aerosol products inside or around this product.
- Do not spill any liquid on this product.
- Do not attempt to repair or service this product.
- If the power cord or plug is damaged, if any liquid has been spilled onto the product, if the product has been dropped or the case damaged, if the product does not operate normally or exhibits a major change in performance level, unplug this product and contact Kodak at www.kodak.com/go/contact.

LCD screen safety

- Use only a dry, soft cloth to clean the LCD screen. Do not use any liquid or chemical cleaners.
- If the LCD screen is damaged, contact Kodak immediately. If any of the solution from the display gets on your hands, wash them thoroughly with soap and water. If the liquid crystal solution gets into your eyes, flush your eyes immediately with water. If any discomfort or change in vision persists after washing, seek medical attention immediately.

Ink cartridge safety

- Keep all ink cartridges out of the reach of children.
- If ink gets on your skin, wash with soap and water. If ink gets into your eyes, flush immediately with water. If any discomfort or change in vision persists after washing, seek medical attention immediately.
- For Material Safety Data Sheets (MSDS) on inks, go to www.kodak.com/go/MSDS.

Regulatory compliance

FCC statement

The United States Federal Communications Commission (in CFR 47 Part 15.105) has specified that the following notice be brought to the attention of the users of this product:

Note: This equipment has been tested and found to comply with the limits for a Class B digital device, pursuant to part 15 of the FCC Rules. These limits are designed to provide reasonable protection against harmful interference in a residential installation. This equipment generates, uses, and can radiate radio frequency energy and, if not installed and used in accordance with the instructions, may cause harmful interference to radio communications. However, there is no guarantee that interference will not occur in a particular installation. If this equipment does cause harmful interference to radio or television reception, which can be determined by turning the equipment off and on, the user is encouraged to try to correct the interference by one or more of the following measures:

- Reorient or relocate the receiving antenna.
- Increase the separation between the equipment and receiver
- Connect the product into an outlet on a circuit different from that to which the receiver is connected.
- Consult the dealer or an experienced radio/TV technician for help.

 CAUTION:

Pursuant to Part 15.21 of the FCC Rules, any changes or modifications to this product not expressly approved by Eastman Kodak Company might cause harmful interference and void the FCC authorization to operate this product.

The radiated energy from this product is well below the FCC radio frequency exposure limits. Nevertheless, the product shall be used in such a manner that the potential for human contact during normal operation is minimized. This product and any attached external antenna, if supported, shall be placed in such a manner to minimize the potential for human contact during normal operation. In order to avoid the possibility of exceeding the FCC exposure limits, human proximity shall not be less than 20 cm (8 inches) during normal operation.

Canadian statements

This product meets the applicable Industry Canada technical specifications.

Operation is subject to the following two conditions: (1) this device may not cause interference, and (2) this device must accept any interference, including interference that may cause undesired operation of the device.

This Class B digital apparatus complies with Canadian ICES-003.

Industry Canada (IC) Radiation Exposure Statement

This equipment complies with IC radiation exposure limits set forth for an uncontrolled environment. This equipment should be installed and operated with a minimum distance of 20 cm between the radiator and your person.

European compliance statement



Hereby, Kodak declares that this wireless KODAK All-in-One Printer is in compliance with the essential requirements and other relevant provisions of Directive 1999/5/EC.

German compliance statement



CAUTION:

This device is not intended for use in the direct field of view at visual display workplaces. To avoid incommoding reflections at visual display workplaces this device must not be placed in the direct field of view.



CAUTION:

Das Gerät ist nicht für die Benutzung im unmittelbaren Gesichtsfeld am Bildschirmarbeitsplatz vorgesehen. Um störende Reflexionen am Bildschirmarbeitsplatz zu vermeiden, darf dieses Produkt nicht im unmittelbaren Gesichtsfeld platziert werden.

Noise emissions for this equipment do not exceed 70 dBa.

This equipment is not intended for use in the workplace in accordance with Bildschirmarbeitsplatz regulations.

“Das Gerät ist nicht für die Benutzung am Bildschirmarbeitsplatz gemäß Bildschirmarbeitsplatz vorgesehen.”

REACH Article 33 declarations

Go to www.kodak.com/go/REACH for information about the presence of substances included on the candidate list according to article 59(1) of Regulation (EC) No. 1907/2006 (REACH).

Waste electrical and electronic equipment labeling



In the European Union, do not discard this product as unsorted municipal waste. Contact your local authorities or go to www.kodak.com/go/recycle for recycling program information.

ENERGY STAR® Qualified All-in-One Printer

To conserve energy, this printer will enter a reduced power (sleep) mode automatically after 1 hour. You can adjust the delay time (in 0.5 hour increments) up to 4 hours. Increasing the delay time may result in reduced energy savings.



ENERGY STAR and the ENERGY STAR mark are registered U.S. service marks. As an ENERGY STAR partner, Kodak has determined that this product meets ENERGY STAR Guidelines for energy efficiency. For more information on the ENERGY STAR program, see www.energystar.gov.

Warranty Information

Limited Warranty

Kodak warrants Kodak consumer electronic products and accessories (“Products”), excluding batteries, to be free from malfunctions and defects in both materials and workmanship for one year from the date of purchase. Retain the original dated sales receipt. Proof of the date of purchase will be required with any request for warranty repair.

Limited Warranty Coverage

Warranty service is only available from within the country where the Products were originally purchased. You may be required to send Products, at your expense, to the authorized service facility for the country where the Products were purchased. Kodak will repair or replace Products if they fail to function properly during the warranty period, subject to any conditions and/or limitations stated herein. Warranty service will include all labor as well as any necessary adjustments and/or replacement parts. If Kodak is unable to repair or replace a Product, Kodak will, at its option, refund the purchase price paid for the Product provided the Product has been returned to Kodak together with proof of the purchase price paid. Repair, replacement, or refund of the purchase price are the sole remedies under this warranty. If replacement parts are used in making repairs, those parts may be remanufactured or may contain remanufactured materials. If it is necessary to replace the entire Product, it may be replaced with a remanufactured Product. Remanufactured Products, parts and materials are warranted for the remaining warranty term of the original Product, or 90 days after the date of repair or replacement, whichever is longer.

Limitations

This warranty does not cover circumstances beyond Kodak’s control. This warranty does not apply when failure is due to shipping damage, accident, alteration, modification, unauthorized service, misuse, abuse, use with incompatible accessories or attachments (such as third party ink or ink tanks), failure to follow Kodak’s operation, maintenance or repacking instructions, failure to use items supplied by Kodak (such as adapters and cables), or claims made after the duration of this warranty. KODAK MAKES NO OTHER EXPRESS OR IMPLIED WARRANTY FOR THIS PRODUCT, AND DISCLAIMS THE IMPLIED WARRANTIES AND CONDITIONS OF MERCHANTABILITY AND FITNESS FOR A PARTICULAR PURPOSE. In the event that the exclusion of any implied warranty is ineffective under the law, the duration of the implied warranty will be one year from the purchase date or such longer period as required by law. The option of repair, replacement, or refund is Kodak’s only obligation. Kodak will not be responsible for any special, consequential or incidental damages resulting from the sale, purchase, or use of this product regardless of the cause. Liability for any special consequential or incidental damages (including but not limited to loss of revenue or profit, downtime costs, loss of the use of the equipment, cost of substitute equipment, facilities or services or claims of your customers for such damages resulting from the purchase, use or failure of the Product), regardless of cause, or for breach of any written or implied warranty is expressly disclaimed.

Your Rights

Some states or jurisdictions do not allow exclusion or limitation of incidental or consequential damages, so the above limitation or exclusion may not apply to you. Some states or jurisdictions do not allow limitations on how long an implied warranty lasts, so the above limitation may not apply to you. This warranty gives you specific rights, and you may have other rights which vary from state to state or by jurisdiction. Your statutory rights are not affected.

Outside the United States and Canada

In countries other than the United States and Canada, the terms and conditions of this warranty may be different. Unless a specific Kodak warranty is communicated to the purchaser in writing by a Kodak company, no warranty or liability exists beyond any minimum requirements imposed by law, even though defect, damage, or loss may be by negligence or other act.

Declaration of Conformity

See www.kodak.com/go/declarationofconformity.

Index

A

access door, location, 1
ANDROID OS Device, printing from, 37

B

back button, 2
BLACKBERRY Device, printing from, 36

C

cancel button, 2
cleaning
 document backing, 57—58
 printer, 56
 scanner glass, 57—58
computer requirements, 76
configuring printer settings, 4
connecting to a wireless network, 6—12
 additional printer, 12
 from USB, 13—14
 printer on additional computers, 12
control panel, location, 1
copy document features, 73
copy photo features, 74
copying, 38—48
 documents, 38—42
 adjusting settings, 39—40
 changing number of copies, 40
 copy sizes, 73
 darkening, 42
 enlarging, 41
 lightening, 42
 reducing, 41
 using default settings, 38
 photos, 43—48
 adjusting settings, 44—45
 changing number of copies, 46
 copy sizes, 74
 darkening, 48
 enlarging, 47
 lightening, 48
 previewing on LCD, 45
 reducing, 47
 using default settings, 43
 setting options, 39—40, 44—45
country/region, setting, 4

D

darkening copies
 documents, 42
 photos, 48

date and time, setting, 4
declaration of conformity, 84
default printer, setting, 5
defaults
 resetting, 4, 64
 save copy settings as
 documents, 40
 photos, 45
 save print settings as, 30
 save scan settings as, 55
document backing, cleaning, 57—58
document paper sizes, 77
documents
 copying, 38—42
 printing, 24—25
 printing two-sided, 24—25
downloading (updating)
 printer firmware, 62—63
 software, 62—63
DPOF (digital print order format) printing
 See tagged images, printing
duplexing, 24—25

E

Energy Star qualification, 82
energy-saving sleep mode, 4
enlarging copies
 documents, 41
 photos, 47
envelopes
 capacity, 23, 74
 loading, 23
 sizes, 20, 77

F

finding photos, 27, 29
firmware, downloading (updating), 62—63

G

glass, scanner
 cleaning, 57—58
 location, 1
Google Cloud Printing, 34
graph paper, printing, 25
grocery list, printing, 25

H

home button, 2
Home Center Software, 3, 26, 49, 51, 52, 53, 55, 63
hostname, printer, 11

I

image formats supported, 75
 index card stock sizes, 77
 ink cartridges, replacing, 59—61
 ink levels, 64
 IP address
 setting up, 10
 viewing, 11
 iPad, printing from, 36
 iPhone, printing from, 36
 iPod touch device, printing from, 36
 iron-on transfers, sizes, 19, 77

K

keyboard on LCD, using, 7
 KODAK All-in-One Printer Software, 3
 KODAK Email Print Service
 printing from, 35
 KODAK Home Center Software
 See Home Center Software

L

label sizes, 77
 language, setting, 4
 LCD, 2
 lightening copies
 documents, 42
 photos, 48
 loading paper input tray
 envelopes, 23
 photo paper, 22
 plain paper, 21

M

MAC address, viewing, 11
 marked images, printing
 See tagged images
 media supported, 76
 memory card slot, location, 1
 memory cards compatible with printer, 26

N

narrow-ruled paper, printing, 25
 navigation button, 2
 network, wireless
 See wireless network

O

OK button, 2
 on/off button
 See power button
 output tray extender, location, 1

P

paper, 19
 loading input tray
 envelopes, 23
 photo paper, 22
 plain paper, 21
 sizes supported, 19, 77
 types supported, 19, 76
 paper guard, location, 1
 paper input tray
 capacity
 envelopes, 23, 74
 photo paper, 22, 74
 plain paper, 21, 74
 location, 1
 paper output tray, location, 1
 paper-edge guides, location, 1
 photo
 finding, 27
 printing, 26—32
 features, 73
 adding date to prints, 73
 image enhancement, 73
 print sizes, 73
 scene balance, 73
 See also printing pictures
 viewing, 27
 photo paper
 capacity, 22, 74
 loading, 22
 sizes supported, 77
 plain paper
 capacity, 21, 74
 loading, 21
 sizes supported, 77
 power button, 2
 power cord connection port, location, 1
 printer, 4
 cleaning instructions, 56
 defaults, resetting, 4, 64
 hostname, 11
 maintaining, 56—64
 supplies
 recycling, 56
 printer connection, changing USB to wireless, 13
 printhead
 removing, 66
 replacing, 65—68
 printhead, location, 1
 printing, 24—33, 34—35
 documents, 24—25
 two-sided, 24—25
 forms, 25

- from ANDROID OS Device, 37
- from BLACKBERRY Device, 36
- from iPad, 36
- from iPhone, 36
- from iPod touch device, 36
- from mobile devices, 34—35
- graph paper, 25
- grocery list, 25
- narrow-ruled paper, 25
- pictures, 26—32
 - from a memory card, 26—32
 - setting options, 28—30
 - tagged images, 4, 32
 - using default settings, 27
- reminder list, 25
- sheet music, 25
- tic-tac-toe, 25
- using Google Cloud Print, 34
- using KODAK Email Print Service, 35
- wide-ruled paper, 25

R

- recycling printer or supplies, 56
- reducing copies
 - documents, 41
 - photos, 47
- regulatory compliance statement
 - Canadian, 81
 - European, 81
 - FCC, 80
 - German, 81
 - REACH Article 33 declarations, 82
 - WEEE, 82
- reminder list, printing, 25
- replacing
 - ink cartridges, 59—61
 - printhead, 65—68
- resolution, scanning, 50

S

- safety information, 78—79
- scanner glass
 - cleaning, 57—58
 - location, 1
- scanner lid, location, 1
- scanner type, 74
- scanning, 49—55
 - automatically detect pictures, 51
 - features, 74
 - file format
 - document, 50
 - picture, 50

- from computer, 52—53
- from control panel, 54
- maximum scan size, 74
- multiple pictures simultaneously, 52
- resolution, 50
- selecting quality, 51
- setting options, 54—55
- Service Set Identifier, 6
- settings
 - copying documents, 39—40
 - copying photos, 44—45
 - printing pictures, 28—30
 - scanning, 54—55
- sheet music, printing, 25
- sleep mode, 4
- software
 - downloading (updating), 62—63
 - support, 75
- specifications, 73—77
- SSID, 6
- start button, 2
- supplies
 - recycling, 56
- support see Web support
- system requirements, 76

T

- tagged images, printing, 32
- tic-tac-toe, printing, 25
- time and date, setting, 4
- time to low power, setting, 4
- transferring pictures to a computer, 33
- tray, paper input, capacity
 - envelopes, 23, 74
- tray, paper, capacity
 - photo paper, 22, 74
 - plain paper, 21, 74
- troubleshooting, 69—71
 - help on the web, 71
- two-sided printing, 24—25

U

- updating
 - firmware, 62—63
 - software, 62—63
- USB connection, changing to wireless, 13—14
- USB port, location, 1

V

- viewing photos, 27, 29

W

- warranty
 - ink, 74
 - printer, 75
 - printhead, 75
- Web support
 - downloads, 71
 - Electronics Industry Alliance, 56
 - Material Safety Data Sheets (MSDS), 79
 - networking, 69
 - REACH Article 33 declarations, 82
 - recycling, 56
- wide-ruled paper, printing, 25
- Wi-Fi connectivity LED, location, 1
- Wi-Fi Setup wizard, 6
- Wi-Fi technology supported, 75
- wireless network
 - configuration, viewing and printing, 11
 - connecting to, 6–12
 - additional KODAK All-in-One Printer(s), 12
 - from USB, 13
 - non-WPS router, 6
 - printer on additional computers, 12
 - using Wi-Fi Setup wizard, 6
 - WPS router, 8
 - IP address, setting up, 10
 - settings, configuring, 6
 - subnet, viewing, 11
- WPS, 6
- WPS router, 8