

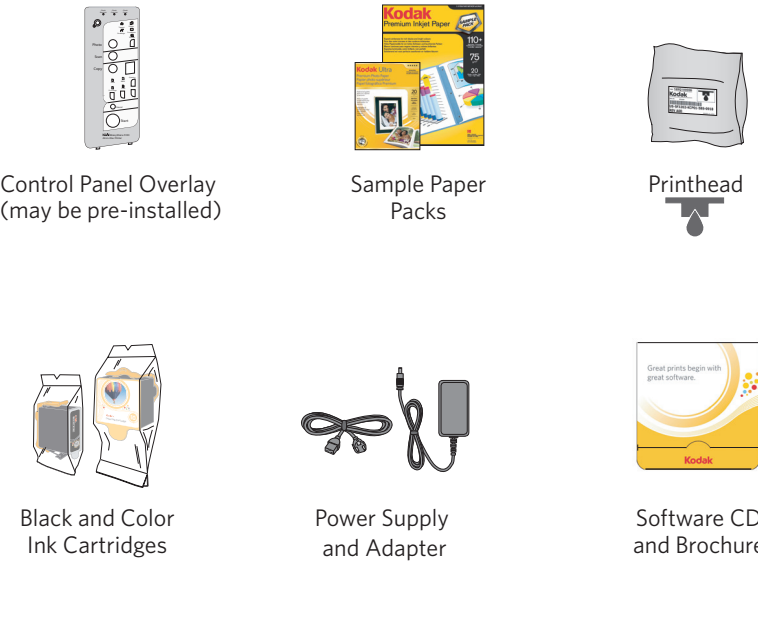
Start Here

Kodak EasyShare 5100
All-in-One Printer

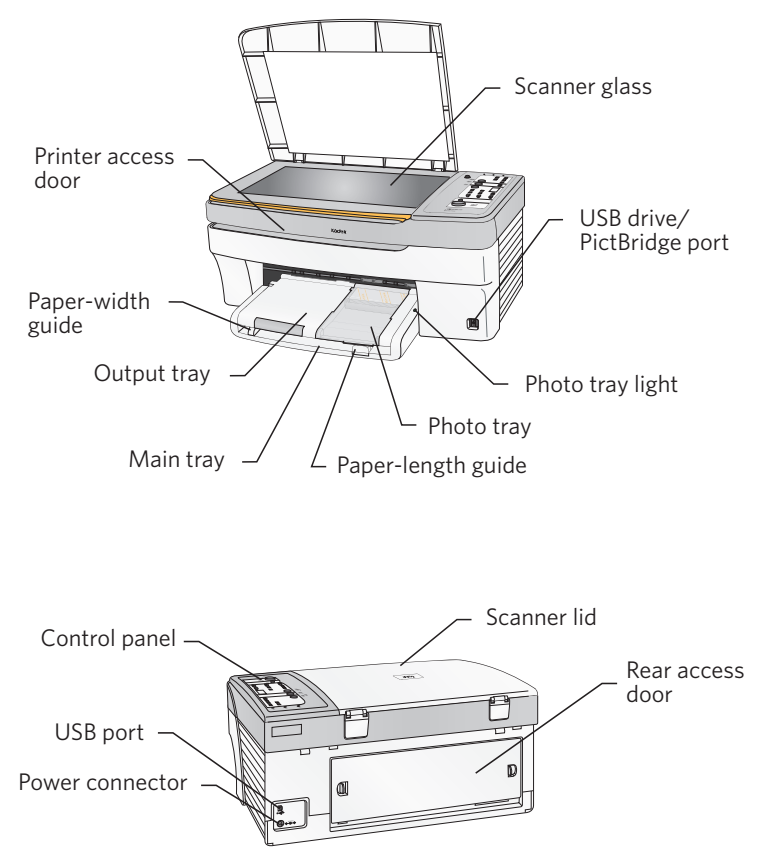
Print
Copy
Scan



Box Contents



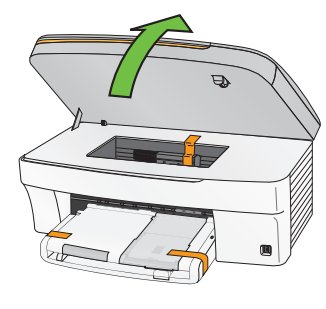
Identify Main Components



Unpack Printer

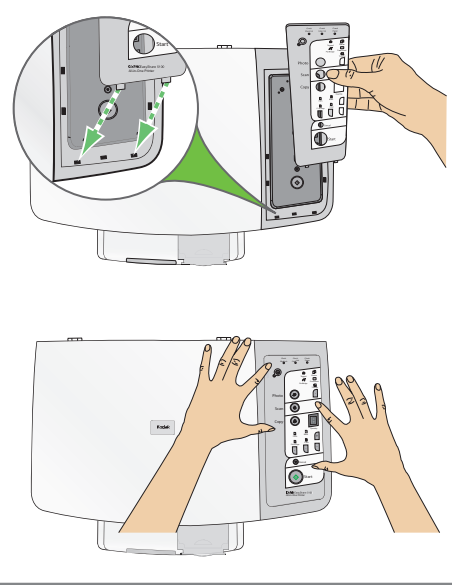
IMPORTANT: Do not connect the USB cable to the printer until instructed during software installation.

- See box flaps for unpacking instructions.
- Remove all orange shipping tape from the printer.



1 Install Control Panel

- If not preinstalled, insert the control panel overlay, bottom end first.
- Press down on all edges of the overlay until it snaps into position.



2 Load Paper

- Load photo paper into the photo tray.

- Lift the photo tray lid. Insert the photo paper **glossy side down**.

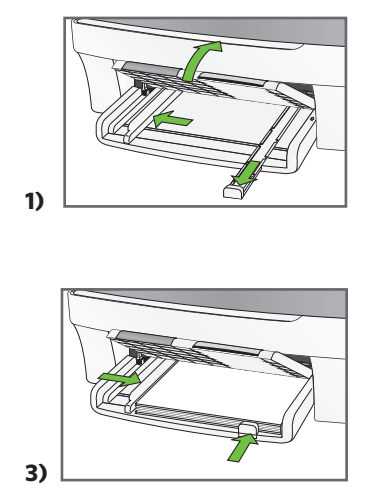
IMPORTANT: Do not overload the photo tray. Max 20 sheets.

- Push the photo tray in until it clicks into place.

NOTE: You can only print to the photo tray when the photo tray is pushed in.

- Lower the photo tray lid.

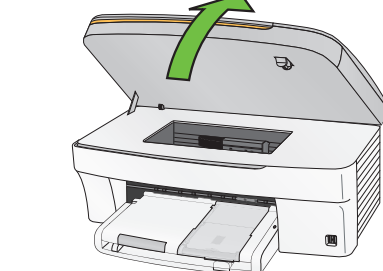
- Load plain white paper into the main tray.



3 Install Printhead

IMPORTANT: The printhead is fragile. Handle carefully.

- Lift the printer access door. Make sure the orange tape is removed from the carriage.



- Remove the printhead from its bag.

IMPORTANT: Insert the printhead immediately upon opening sealed bag.

- Pull on the orange tab to remove the protective retainer.

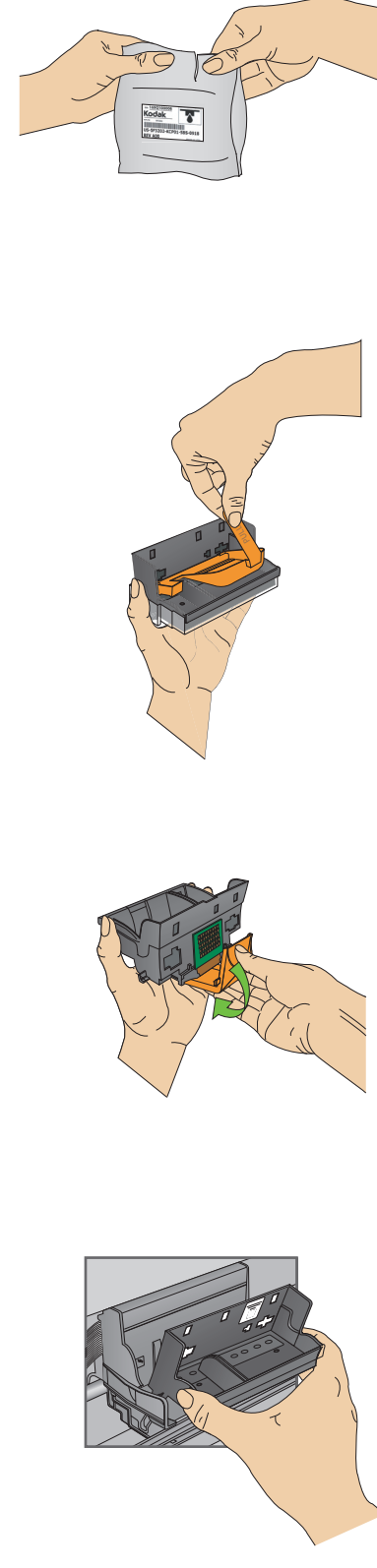
- Carefully remove and discard the clear plastic shield and the orange protective cap.

IMPORTANT: Do not touch the copper-colored contacts.

- Place the printhead into the carriage. Insert it at the angle shown.

- Push firmly against the top of the white label on the printhead until it clicks into place.

Tip: The printhead requires a firm push and makes an audible click when locked into place.



4 Install Ink Cartridges

- Remove the black ink cartridge from its bag.

IMPORTANT: Insert ink cartridges immediately upon opening sealed bag.

- Carefully remove and discard the orange cap. Handle ink cartridges carefully to avoid ink transfer.

- Insert the black ink cartridge into the printhead.

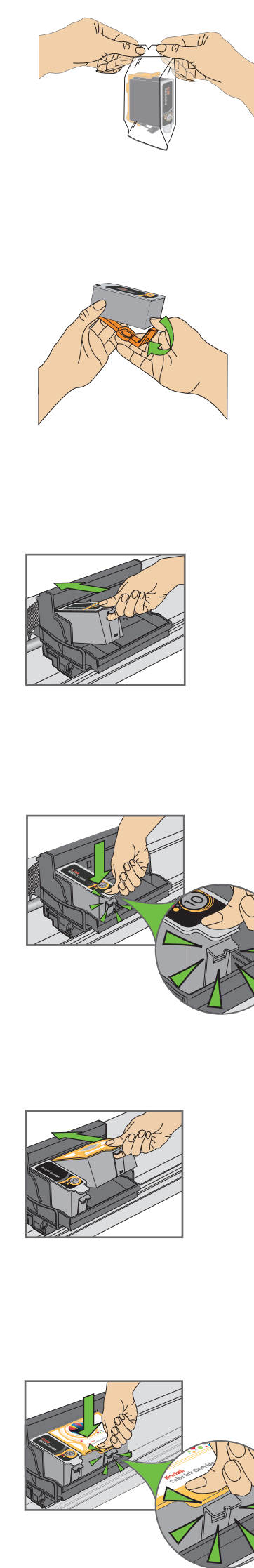
- Press down on the ink cartridge until you hear it click into position.

- Open and uncap the color ink cartridge. Insert it into the printhead.

- Press down firmly on the ink cartridge until you hear it click into position.

It is normal for the printhead to flex when inserting the cartridge. You will not damage the printer.

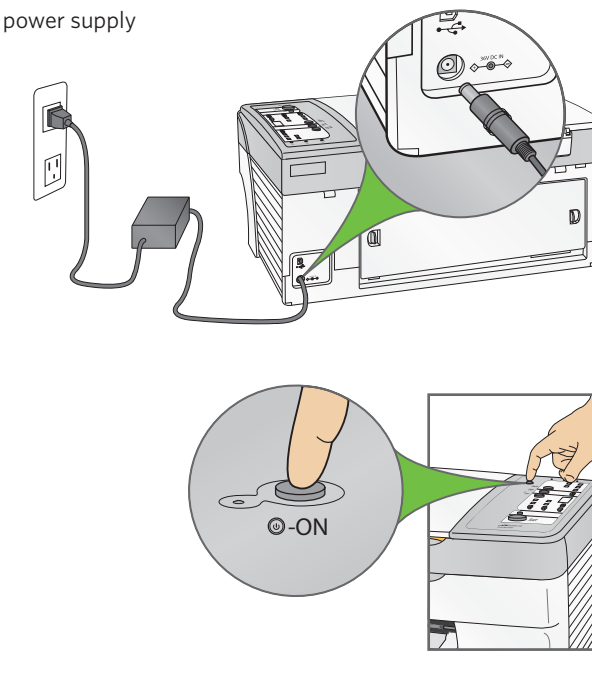
- Close the printer access door.



5 Connect Power

- Connect the power supply and adapter.

- Press ON.



6 Calibrate Printer

IMPORTANT: Make sure that the photo tray is pushed in. The photo tray light will be lit.

- Press Start. Wait two minutes for the calibration sheet to print.

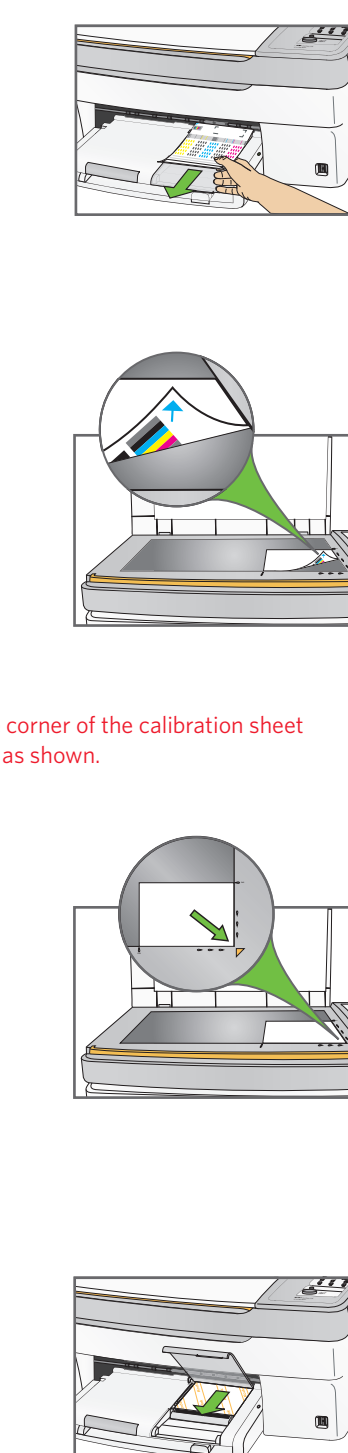
Tip: If the calibration sheet does not print properly, see the Troubleshooting section in this setup poster.

- Remove the calibration sheet from the output tray. Place it face down and align to the front, right corner of the scanner glass, as shown.

IMPORTANT: The blue arrow in the corner of the calibration sheet must point to the registration marks as shown.

- Lower the scanner lid and press Start. The ON/OFF light will turn solid green when the calibration is complete. Remove the sheet from the scanner glass.

- Lift the photo tray lid, then slide the photo tray toward you to return to main tray operation. The photo tray light will turn off.



7 Install Windows Software

IMPORTANT: Do not connect the USB cable to the printer until instructed during software installation.

- Load the Kodak EasyShare CD into the CD-ROM drive. If instructions do not appear, click **Start**, then **Run**. Select CD-ROM drive and type setup.exe, then press **ENTER**.

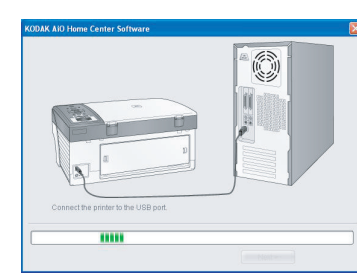


- If connected to the internet, select Web Install to get the latest upgrades for your printer.

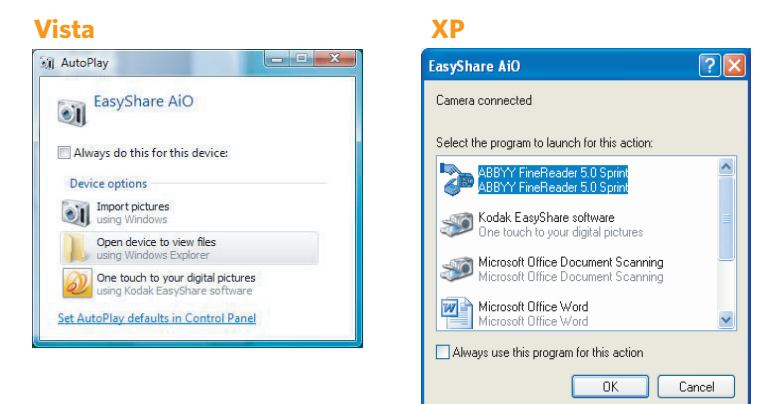


- Follow the on screen prompts to install the AIO Software.

- Connect the printer to the USB port. Click Next and follow the on screen prompts.

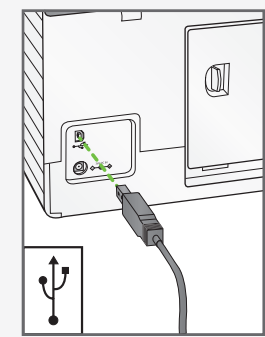


- When the EasyShare AIO dialog box appears, close the window.



Install Macintosh Software

- Connect the USB cable to the printer and your computer.



- Download the EasyShare AIO software from www.kodak.com/go/5100aiosupport.

- Double-click the .dmg file to open it.

- Wait for the Kodak EasyShare Installer icon to appear on your desktop and double-click on it.

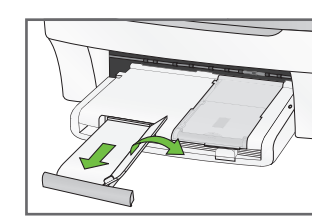


- Click on the Install Software app icon and follow the on screen prompts.

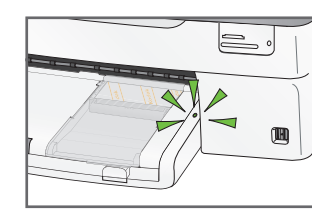


Helpful Tips

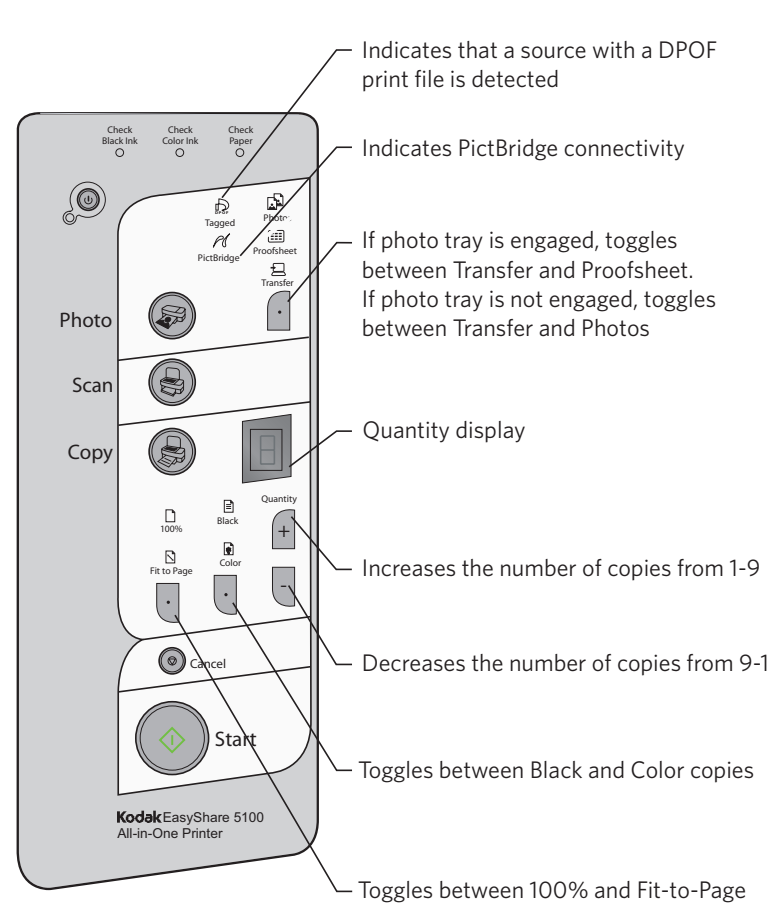
- Pull out the output tray extender to help collect your 8.5"x11" prints.



- The photo tray light illuminates when the photo tray is pushed in. To use the main paper tray, disengage the photo tray by pulling it towards you.



Control Panel Features



Getting Started

You can access and use the AIO Home Center by double-clicking on the icon on your desktop.

Windows

The AIO Home Center will enable you to copy, scan, and configure your AIO Printer from the computer. You can also launch Kodak EasyShare software for transferring, viewing, and working with your digital pictures and videos.

Macintosh

The AIO Home Center will enable you to configure your AIO Printer from the computer. You can also order supplies and launch Kodak EasyShare software for transferring, viewing, and working with your digital pictures and videos. Use the Kodak EasyShare AIO drivers to print and scan to your AIO Printer.

Troubleshooting

If you have additional questions about troubleshooting this device, please visit www.kodak.com/go/5100aiosupport

PROBLEM: I cannot print anything, the printer is locked-out after printing the calibration sheet.

SOLUTION:

- Are both the Black and Color lights solid red? YES
- Did you already scan the Calibration Sheet? NO - proceed to step 3. YES - proceed to step 5.
- Place calibration sheet on the scanner glass.
- Press START.

Did this correct your problem?

- YES - no further troubleshooting is necessary
- NO - proceed to steps 5 through 8.
- 5. Reset power to printer by turning it OFF. Wait ten seconds and turn it back ON.
- 6. After the printer finishes re-booting, check the position of the calibration sheet on the scanner glass.
- 7. Press START.

Did this correct your problem?

- YES - no further troubleshooting is necessary.
- NO - contact Kodak service support.

PROBLEM: I've put the calibration sheet on the scanner glass and nothing happened.

SOLUTION: One of two scenarios may have occurred. Either the calibration sheet is not positioned correctly (arrow not positioned in right corner) on the scanner glass or the calibration sheet is skewed (not aligned squarely) on the scanner.

- Verify that the calibration sheet is positioned correctly on the scanner glass.
- Press START.

Did this correct your problem?

- YES - no further troubleshooting is necessary.
- NO - please contact Kodak service support.

PROBLEM: I cannot get a calibration sheet to print.

SOLUTION: When necessary, you can force a calibration sheet to print by following these steps:

- Make sure the photo paper tray is loaded and pushed in.
- Press CANCEL and PHOTO simultaneously. Then press START.
- When the print comes out, place it at the front-right corner of the scanner glass, and press START.

PROBLEM: I cannot print to my desired paper type.

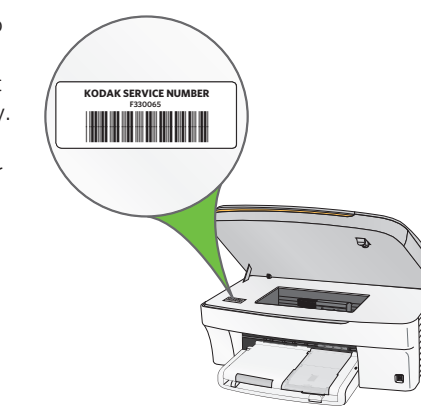
SOLUTION: Check to see if the photo tray is pushed in. You can do this by checking if the green photo tray light is illuminated. If it is, all prints will be produced from this tray. If you want to print from the main tray, pull out the photo tray by lifting the lid and sliding the paper tray toward you (See step 6d).

PROBLEM: I have a paper jam.

- SOLUTION:**
- Press in the tabs on the rear access door to remove the door.
 - Gently pull the paper out of the rollers.
 - IMPORTANT:** If the paper tears while removing it, check inside the printer for torn pieces of paper and remove them. Additional jams are likely to occur if all of the torn pieces are not removed.
 - Replace the rear access door. Gently push the door forward until it snaps into place.

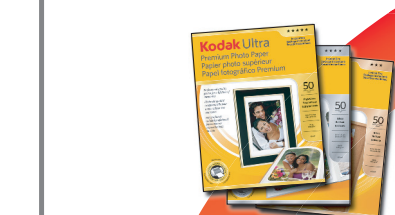
Is Further Troubleshooting Required?

If you need further information to help answer your questions, please contact Technical Support and have your KSN number ready. Your KSN number can be found on the unit after lifting the printer access door as shown.



More accessories More options More convenience

The KODAK EasyShare All-in-One Printer gives you more. Be sure to visit our online store to select from our full line of supplies and accessories at www.kodak.com/go/AIO.



Kodak's Inkjet Photo Paper
Get prints that look great the first time with Kodak's unique backprint technology that automatically enables optimized prints.



Value Packs
Save up to 50% on everything you print and pay as low as 10 cents a print with our ink and paper Value Packs.



Two-sided Printing Accessory
It's easy to print both sides of your document with the Kodak EasyShare 5100 Series Two-Sided Printing Accessory.



Wireless Adapter
Go wireless with the Kodak Wireless 2.0 USB Bluetooth Adapter.

Note: A USB 2.0 cable is required to connect your Kodak All-in-One printer to your Windows or Macintosh OS computer. Available in the Kodak online store or see your local retailer.

Need More Help? Look here for answers: www.kodak.com/go/5100aiosupport

User Guide
The User Guide is installed with your Kodak AIO Software and is located:
Windows
Start > All Programs > Kodak
Macintosh
Library > Documentation > Kodak AIO Printers



Eastman Kodak Company
Rochester, NY 14650 U.S.A.
© Eastman Kodak Company, 2007
MC/MR/™: Kodak, EasyShare.

The Bluetooth® trademarks are owned by the Bluetooth SIG, Inc. Printed in the U.S.A.

Windows® is a registered trademark of Microsoft Corporation. Macintosh® is a registered trademark of Apple Computer, Inc.