



TECHNICAL INFORMATION BULLETIN

KODAK Auxiliary Ventilation Fan Kit

KODAK Medical Film Processors and Multiloaders

Updated April 02, 2002

Source: Service Bulletin 158 (April 1993)

The KODAK Auxiliary Ventilation Fan Kit helps meet site specifications for processor or multiloader ventilation. It is available for use with all Kodak processors or multiloaders, and should be installed whenever ventilation is inadequate or marginal. Improper ventilation may cause film artifacts and corrosion of internal metal parts both in the processor or multiloader and in accessories attached to them. For additional information, see Drains, Exhaust Venting, and Room Ventilation Requirements.

Note: The Fan must be connected to an exhaust system that forces air to the *outside of the building* so that no air is reused.

The Auxiliary Ventilation Fan Kit allows installation of the Fan and the Air Gap Assembly to either a wall or a pillar, or to the exhaust duct itself if the duct is strong enough to support the Fan's weight. Adjustment of the air gap allows accurate control of air flow so the processor ventilation meets site specifications. Use the Air Gap Assembly with either a 3-inch or 4-inch diameter exhaust duct.

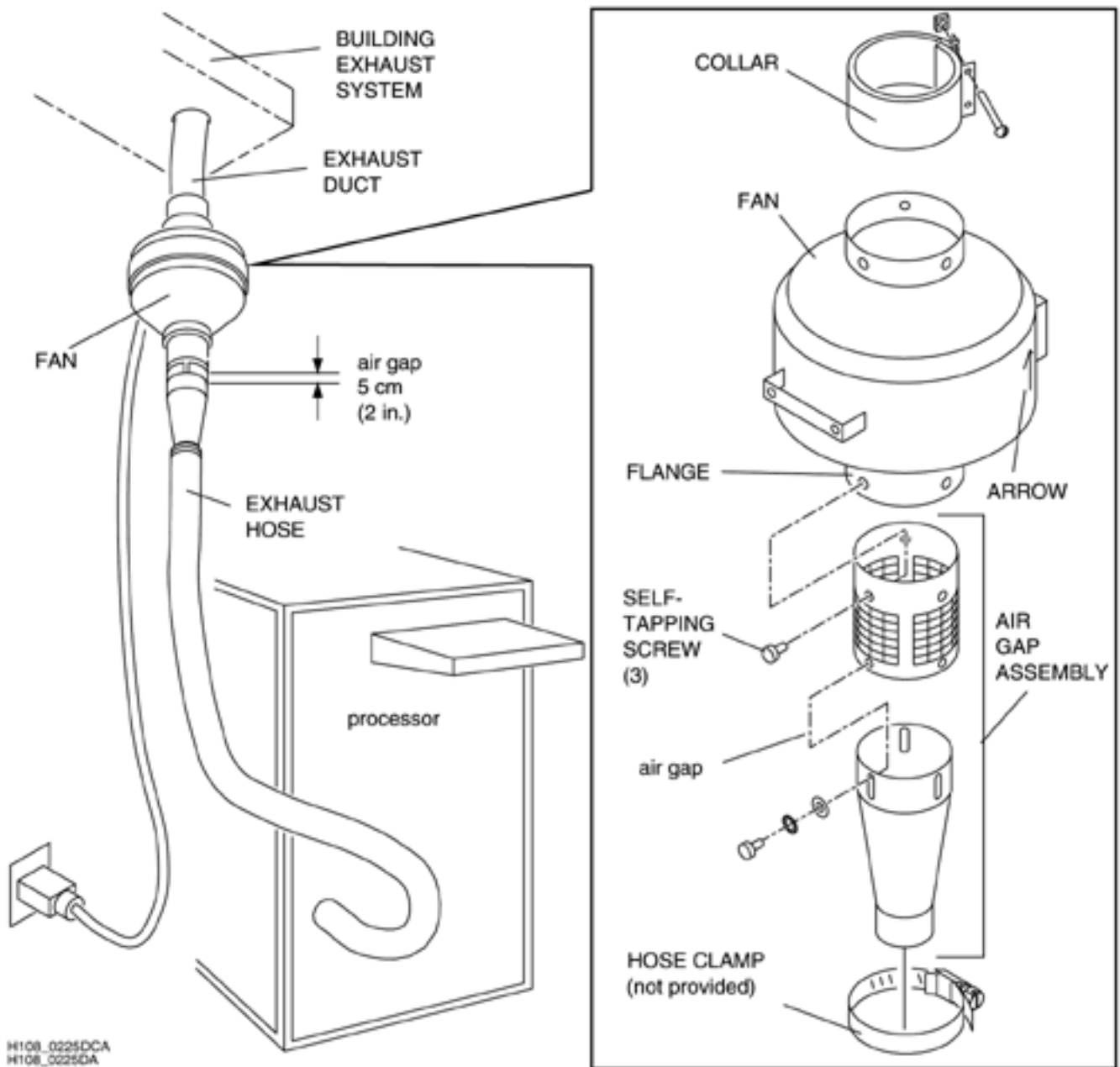
Installation Instructions (included with the kit or available separately) provide installation, operation, and parts list information.

How to Order

The following items can be ordered through Service Parts Management at 800-431-7278 (U.S.) or 585-724-7278 (Outside U.S.).

Note: The Air Gap Assembly is included with the Auxiliary Ventilation Fan Kit, or it can be ordered separately.

Part	Part No.
Auxiliary Ventilation Fan Kit / 110 VAC / 60Hz	264503
Installation Instructions	Pub No. 981914
Auxiliary Ventilation Fan Kit / 95-250 VAC / 47-63 Hz*	8B7105
Installation Instructions	8B7104
Air Gap Assembly (separate)	264519
* This kit will run on any AC current (50 or 60Hz) and any voltage from 95 to 250VAC	



Note: Technical Information Bulletins provide information of limited or specific application. Responsibility for judging the applicability of the information for a specific use rests with the end user.

Kodak is a trademark of Eastman Kodak Company.