

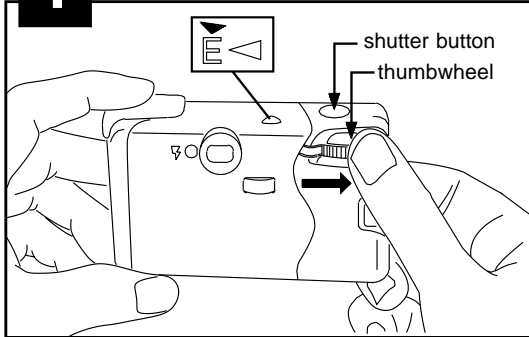


# CURRENT INFORMATION SUMMARY

## Opening Instructions for the **Kodak ULTRA Compact Flash Single-Use Camera and Kodak ULTRA Compact Single-Use Camera (without flash)**

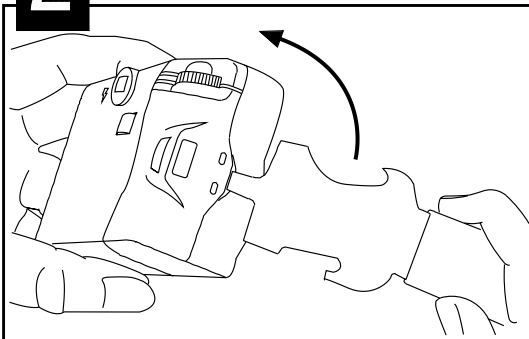
Wear eye protection when opening all cameras.

### **1** Wind Off



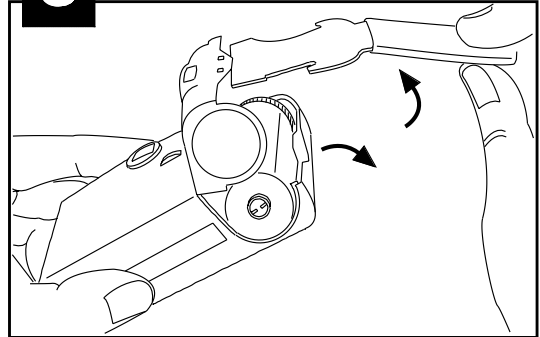
- Check the frame-counter window to make sure the "E" is aligned with the arrow.
- If not, grip camera and cover lens, press shutter button, and turn thumbwheel until film is fully rewound.

### **2** Insert Tool



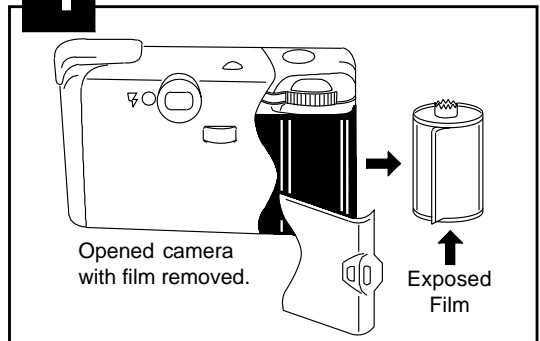
- Insert special tool into end slot (as shown).

### **3** Break Off Film Door




- Use tool to break off the film door and remove film.

### **4** Remove Film



- ### **5**
- Place used camera in recycle bin for Kodak to recycle.
  - Visit our Web site at <http://www.kodak.com/go/kes> for details about Kodak's recycling program.

  
**CAUTION: This camera body contains a high-voltage capacitor and circuit board. To avoid electric shock, do not pry apart the front and back sections of camera. Remove only film from its respective compartment. If sections of the camera are separated, do not touch the circuit board.**

**CAUTION: To avoid injury, use tool carefully.**

*Current Information Summaries* provide information of limited or specific application. Responsibility for judging the timeliness and applicability of the information to a specific photographic use rests with the end user.

Consumer Imaging  
EASTMAN KODAK COMPANY • ROCHESTER, NY 14650



Kodak and Ultra are trademarks.

**CIS-216**

Opening Instructions for the KODAK ULTRA Compact Flash Single-Use Camera  
and KODAK ULTRA Compact Single-Use Camera (without flash)

New 7-01