

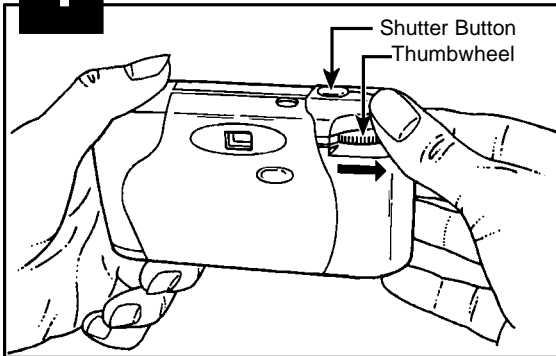


CURRENT INFORMATION SUMMARY

Opening Instructions for the KODAK MAX HQ Flash One-Time-Use Camera

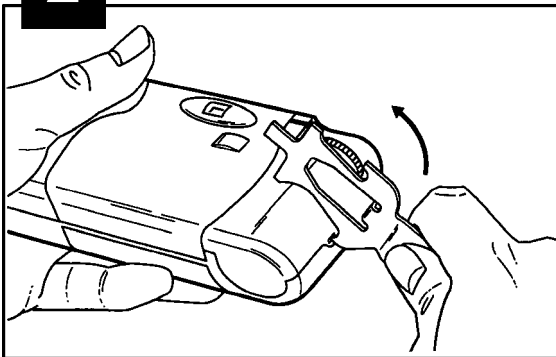
Wear eye protection when opening all cameras.

1 Wind Off



- Check the frame counter window.
- X's must be visible.
- If not, grip camera, press Shutter Button, and turn Thumbwheel until film is fully rewound.

2 Insert Tool

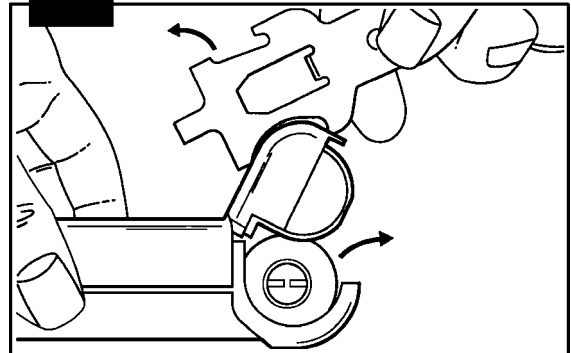


- Insert special tool into end slot (as shown).



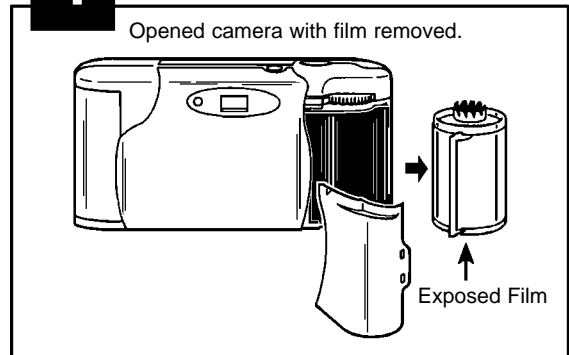
CAUTION: This camera body contains a high voltage capacitor and circuit board. To avoid electric shock, do not pry apart the front and back sections of camera. Remove only film and battery from their respective compartments. If sections of the camera are separated, do not touch the circuit board.

3 Open Film Door



- Use tool to bend cover back and remove film.

4 Remove Film



- Place used camera in recycle bin.
- Return camera to Kodak for recycling.

CAUTION: To avoid injury, use tool carefully.

Current Information Summaries provide information of limited or specific application. Responsibility for judging the timeliness and applicability of the information to a specific photographic use rests with the end user.

Consumer Imaging
EASTMAN KODAK COMPANY • ROCHESTER, NY 14650

