



CURRENT INFORMATION SUMMARY

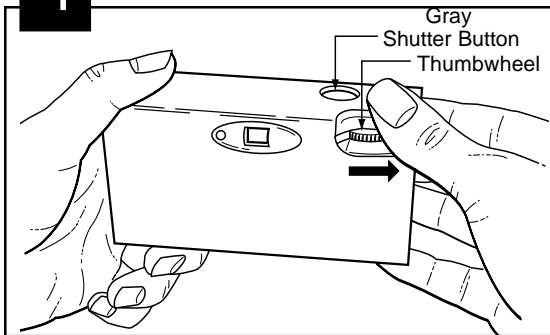
Opening Instructions for the KODAK FUN SAVER 35

One-Time-Use Camera With Flash

(use for camera with gray shutter button)

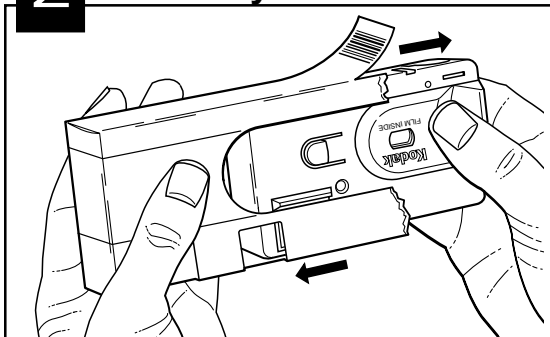
Wear eye protection when opening all cameras.

1 Wind Off

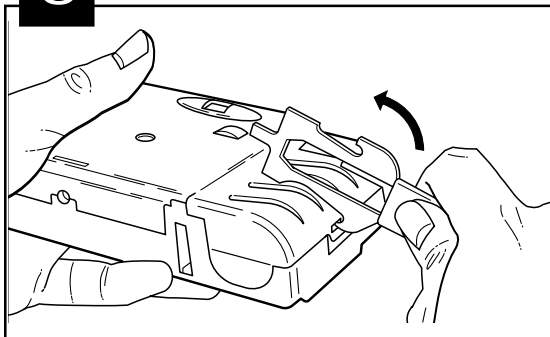


- Check the frame counter window.
- X's must be visible.
- If not, grip camera, press Gray Shutter Button, and turn Thumbwheel until film is fully rewound.

2 Remove Camera Box and Recycle

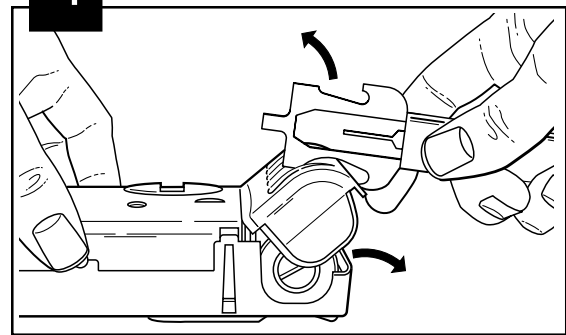


3 Open Film Door



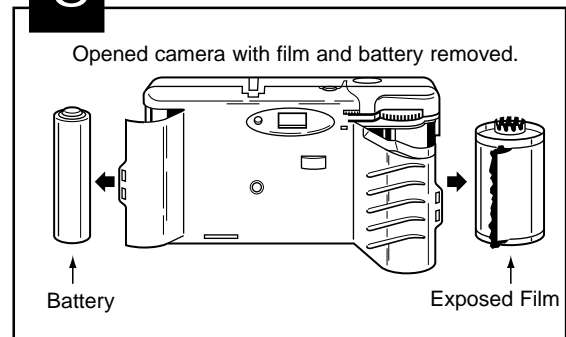
- Insert special tool into end slot (as shown).

4 Remove Film



- Use tool to bend cover back and remove film.

5 Remove Battery



- Repeat the same steps at opposite end of camera to remove battery.

- 6
- Place used camera in recycle bin
- Return camera to Kodak for recycling.



CAUTION: This camera body contains a high voltage capacitor and circuit board. To avoid electric shock, do not pry apart the front and back sections of camera. Remove only film and battery from their respective compartments. If sections of the camera are separated, do not touch the circuit board.

CAUTION: To avoid injury, use tool carefully.

Current Information Summaries provide information of limited or specific application. Responsibility for judging the timeliness and applicability of the information to a specific photographic use rests with the end user.

Consumer Imaging
EASTMAN KODAK COMPANY • ROCHESTER, NY 14650



CIS-193
Opening Instructions for the
KODAK FUN SAVER 35 One-Time-Use
Camera With Flash

Kodak and Fun Saver are trademarks.

Printed in U.S.A.