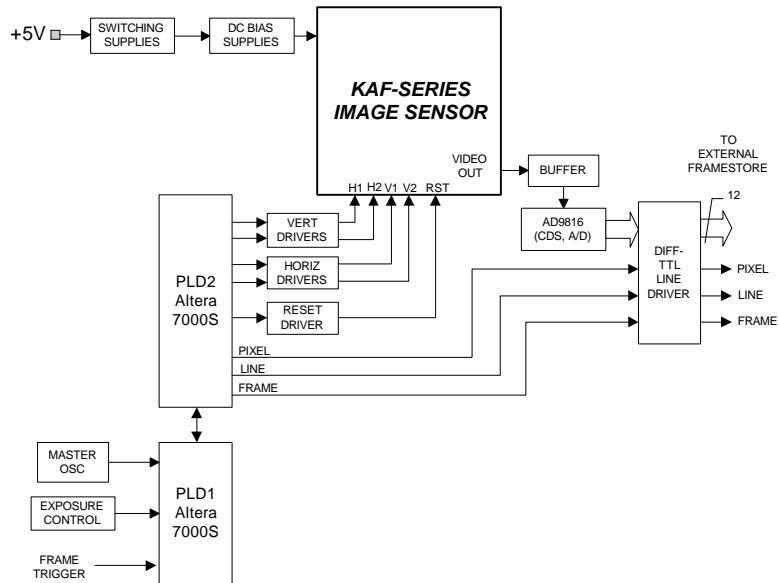


KODAK KAF-SERIES EVALUATION BOARD

Supports All Kodak
Digital Science™ Full-Frame
Series CCD Image Sensors

Description

The Kodak KAF-Series Evaluation Board provides a rapid path for implementation of any Kodak *Digital Science™* Full-Frame image sensor into your product prototype. The versatility of in-circuit programmable logic allows easy modification of timing to meet the needs of your application. A 12-bit differential TTL video output and synchronization clock outputs facilitate easy connection to a PC-based frame grabber.



Features

Data Rate	6 Megapixels/Second
Power Supply Requirements	+5V, 1.5 Ampere
Timing Generation	Altera 7000S JTAG Programmable PLD's
Video Output	12-bit Digital (Differential TTL)
Timing Outputs	Pixel, Line and Frame Rate Differential TTL
Analog Gain	8-Bit Programmable
Exposure Control	User Selectable from 10 msec to 10 sec
Image Capture Modes	Continuous Frame or Single Shot
On-Chip Binning	User Selectable from 1x1 to 10x10 pixels
Physical Dimensions	5" x 5"

